

BLDC Planetengetriebemotor / planetary geared BLDC motor PG36BL36

Motordaten

Motor Data

Ausführung	Model	BL36126000	BL36246000
Nennspannung	Rated voltage	12VDC	24VDC
Ansteuerung	Driver electronics	integriert	integrated
Leerlaufstrom [A]	No load current [A]	0,46	0,22
Leerlaufdrehzahl [U/min]	No load speed [rpm]	6000	6000
Nennstrom [A]	Rated Current [A]	1,58	1,2
Nennndrehzahl [U/min]	Rated speed [rpm]	5160	5100
Nennndrehmoment [mNm]	Rated torque [mNm]	25	38
Nennleistung [W]	Rated power [W]	13	20
Spitzenleistung [W]	Max. output power [W]	28	42
Blockademoment [mNm]	Stall torque [mNm]	177	273
Blockadestrom [A]	Stall current [A]	10,6	7,1



Getriebedaten

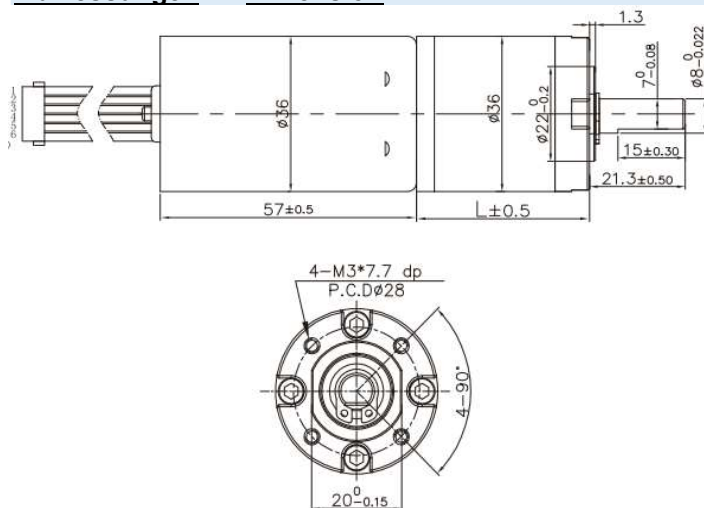
Gear Data

Ausführung	type of gear box	Planetengetriebe / planetary
Gehäuse	Housing	Metall / metal
Ausgangslager	Bearing at output	ball or sleeve
Drehmoment	Torque	max. 10 (depends on ratio)
Welle	Shaft	Ø8x21mm

Übersetzungen Ratios

Number of stages	1 stages reduction	2 stages reduction	3 stages reduction	4 stages reduction	5 stages reduction
Reduction ratio	3.7 , 5.2	13.7, 19.2 26.9	50.9 , 71.2 99.5 , 139	188, 264 , 369 , 516 , 721	699, 977 , 1367 , 1911 , 2672 , 3736
Gearbox length "L" mm	25.1	32.3	38.5	44.7	50.9
Max. gear running torque	20.0kgf-cm	50.0kgf-cm	100.0kgf-cm	100.0kgf-cm	100.0kgf-cm
Max. gear breaking torque	60.0kgf-cm	150.0kgf-cm	300.0kgf-cm	300.0kgf-cm	300.0kgf-cm
Gearing efficiency	90%	81%	73%	65%	59%

Abmessungen Dimension



Anschlussschema connection diagram

