

DC Motor RS-380

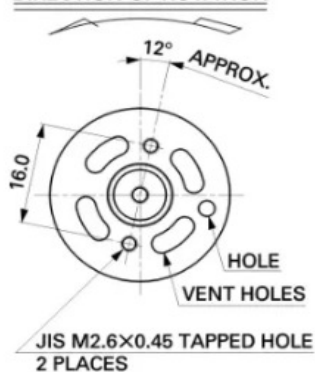
<u>Allgemeine Daten</u>		<u>Standard Data</u>		
Ausführung	Model	RS-380SH-3750	RS-380SH-3557	RS-380SH-12300
Nennspannung	Rated voltage	12VDC	12VDC	24VDC
Welle	Shaft dimension		Ø2,3 x 16,4mm	
Abmessungen	Dimension		Ø28 x 38mm	
Umgebungstemperatur	Ambient temperature		+15...+35°C	
Elektrischer Anschluss	Electrical connection		2,8 x 6mm	
Gewicht	Weight		~78g	



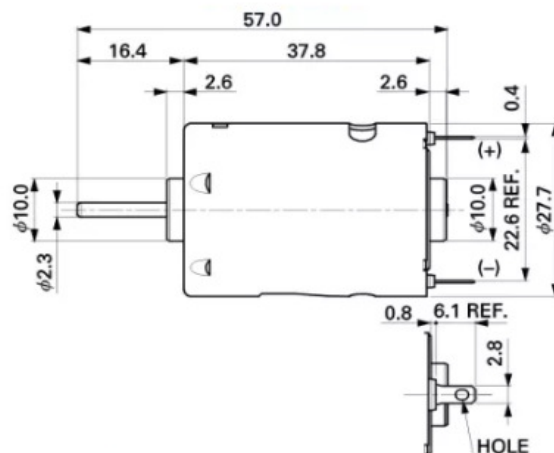
<u>Leistungsdaten</u>		<u>Performance Data</u>		
Leerlaufstrom [A]	No load current	0,45	0,44	0,07
Leerlaufdrehzahl [U/min]	No load speed [rpm]	16500 +/-10%	21200 +/-10%	8000 +/-10%
Nennstrom [A]	Rated current [A]	1,96	2,85	0,31
Nennndrehzahl [U/min]	Rated speed [rpm]	14000 +/-10%	18360 +/-10%	6540 +/-10%
Nennndrehmoment [mNm]	Rated torque [mNm]	8,3	11	6,27
Nennleistung [W]	Rated power [W]	12,6	22	4,3
Spitzenleistung [W]	Max. output power [W]	30	46	7
Blockademoment [mNm]	Stall torque [mNm]	69	84	34,3
Blockadestrom [A]	Stall current [A]	14,6	18,5	1,4

Abmessungen Dimension

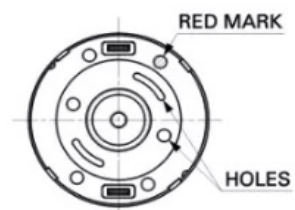
DIRECTION OF ROTATION



Usable machine screw length 4.0 max. from motor mounting surface.



CCW+



UNIT: MILLIMETERS