

BLDC Planetengetriebemotor / planetary geared BLDC motor PG32BL32

Motordaten		Motor Data	
Ausführung	Model	BL32126000	BL32246000
Nennspannung	Rated voltage	12VDC	24VDC
Ansteuerung	Driver electronics	integriert	integrated
Leerlaufstrom [A]	No load current [A]	0,12	0,06
Leerlaufdrehzahl [U/min]	No load speed [rpm]	6000	6000
Nennstrom [A]	Rated Current [A]	0,44	0,24
Nennndrehzahl [U/min]	Rated speed [rpm]	4850	4960
Nennndrehmoment [mNm]	Rated torque [mNm]	7,2	7
Nennleistung [W]	Rated power [W]	3,6	3,5
Spitzenleistung [W]	Max. output power [W]	6,5	6,4
Blockademoment [mNm]	Stall torque [mNm]	42	44
Blockadestrom [A]	Stall current [A]	2,3	1,2

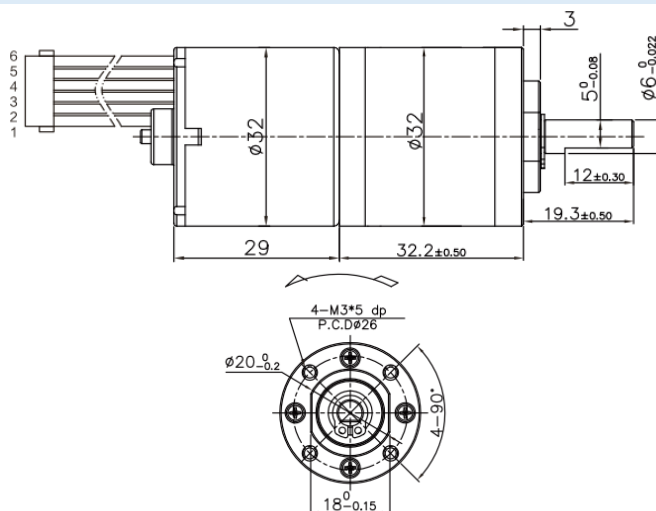


Getriebedaten		Gear Data
Ausführung	type of gear box	Planetengetriebe / planetary
Gehäuse	Housing	Metall / metal
Ausgangslager	Bearing at output	ball or sleeve
Drehmoment	Torque	max. 5Nm
Welle	Shaft	Ø6x19mm

Übersetzungen Ratios

Number of stages	1 stages reduction	2 stages reduction	3 stages reduction	4 stages reduction	5 stages reduction
Reduction ratio	3.3, 4.6	112 15.5, 21.5	37.7, 52.1, 72,100,	126, 174, 241, 334, 462,	423, 585, 810, 1120, 1549, 2142,
Gearbox length "L" mm	20.7	26.4	32.2	38	43.8
Max. Running torque	10.0Kgf • cm	20Kgf • cm	50Kgf • cm	50Kgf • cm	50Kgf • cm
Max. Gear breaking torque	20.0Kgf • cm	60.0Kgf • cm	150 Kgf • cm	150 Kgf • cm	150 Kgf • cm
Gearing efficiency	90%	81%	73%	65%	59%

Abmessungen Dimension



Anschlussschema connection diagram

