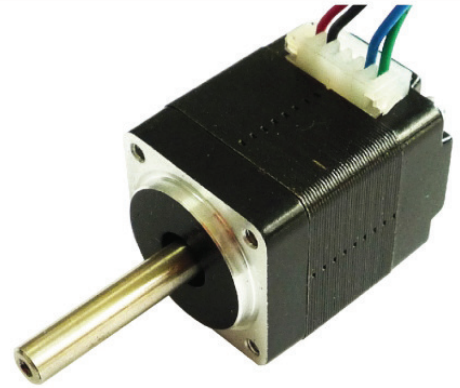


8HY(20mm) Series, 1.8 deg/step

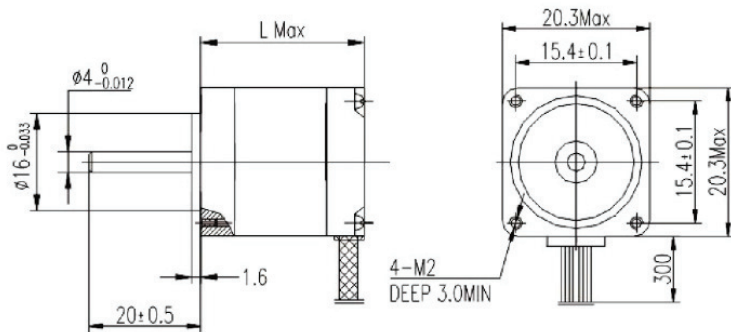


Electrical Specification

Model	Step Angle (°)	Motor Length (mm)	Rated Current(A)	Phase Resistance(Ω)	Phase Inductance(mH)	Holding Torque (N.cmMin)	Detent Torque (N.cmMax)	Rotor Inertia (g.cm ²)	Lead Wire (No.)	Motor Weight(g)
8HY2402	1.8	28	0.2	23	8.2	1.4	0.2	2.5	4	50
8HY2406	1.8	28	0.6	3.2	0.9	1.4	0.2	2.5	4	50
8HY3402	1.8	34	0.2	25	8.4	1.8	0.3	3.2	4	70
8HY3406	1.8	34	0.6	4.5	1.2	1.8	0.3	3.2	4	70
8HY4402	1.8	40	0.2	32	8.8	2.6	0.5	4.5	4	82
8HY4406	1.8	40	0.6	5.8	1.6	2.6	0.5	4.5	4	82

* Note: It's only typical technical data, special requirement can be customized.

Mechanical Dimensions



Description:

Model	Motor Length
8HY2xxx	28mm
8HY3xxx	34mm
8HY4xxx	40mm

Wiring Diagram

