

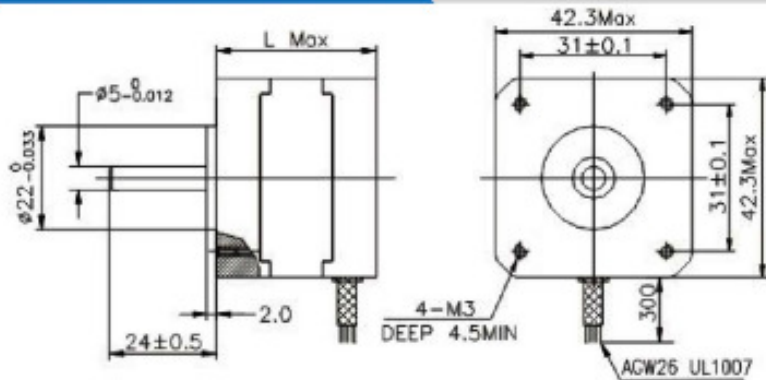


Electrical Specification

Model	Step Angle (°)	Motor Length (mm)	Rated Current(A)	Phase Resistance(Ω)	Phase Inductance(mH)	Holding Torque (N.cmMin)	Detent Torque (N.cmMax)	Rotor Inertia (g.cm ²)	Lead Wire (No.)	Motor Weight(g)
17HS0410	1.8	20	0.8	3.8	4.5	10	1.2	24	4	120
17HS2408	1.8	28	0.6	8	10	12	1.6	30	4	150
17HS3401	1.8	34	1.3	2.4	2.8	28	1.6	34	4	220
17HS3410	1.8	34	1.7	1.2	1.8	28	1.6	34	4	220
17HS3630	1.8	34	0.4	30	18	21	1.6	34	6	220
17HS4401	1.8	40	1.7	1.5	2.8	40	2.2	54	4	280
17HS4402	1.8	40	1.3	2.5	5.0	40	2.2	54	4	280
17HS4602	1.8	40	1.2	3.2	2.8	28	2.2	54	6	280
17HS8401	1.8	48	1.7	1.8	3.2	52	2.6	68	4	350
17HS8402	1.8	48	1.3	3.2	5.5	52	2.6	68	4	350
17HS8403	1.8	48	2.3	1.2	1.6	46	2.6	68	4	350
17HS8630	1.8	48	0.4	30	38	34	2.6	68	6	350
17HS9403	1.8	60	2.3	1.4	2.5	70	3.6	80	4	480
17HS6403	1.8	63	2.3	1.5	2.2	80	4.0	85	4	500

* Note: It's only typical technical data, special requirement can be customized.

Mechanical Dimensions



Description:

Model	Motor Length
17HS2xxx	28mm
17HS3xxx	34mm
17HS4xxx	40mm
17HS8xxx	48mm
17HS9xxx	58mm
17HS6xxx	63mm

Wiring Diagram

