

11HY (28mm) Series, 1.8 deg/step

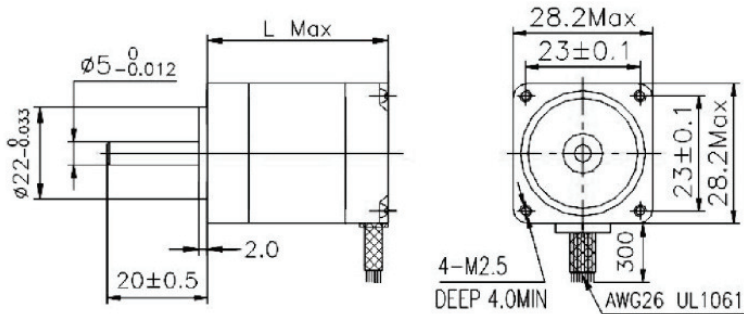


Electrical Specification

Model	Step Angle (°)	Motor Length (mm)	Rated Current(A)	Phase Resistance(Ω)	Phase Inductance(mH)	Holding Torque (N.cmMin)	Detent Torque (N.cmMax)	Rotor Inertia (g.cm ²)	Lead Wire (No.)	Motor Weight(g)
11HY2401	1.8	28	0.6	4.2	2.2	4.5	0.3	6	4	105
11HY2402	1.8	28	0.35	12	5.8	4.5	0.3	6	4	105
11HY3401	1.8	33	0.6	5.5	3.2	6.0	0.4	8	4	110
11HY3402	1.8	33	0.35	15	9.2	6.0	0.4	8	4	110
11HY4401	1.8	41	0.6	7.0	6.0	6.0	0.5	11	4	140
11HY4402	1.8	41	0.35	20	15	6.0	0.5	11	4	140
11HY5401	1.8	50	0.6	9.0	7.2	10	0.8	13	4	180
11HY5402	1.8	50	0.35	24	18.5	10	0.8	13	4	180

* Note: It's only typical technical data, special requirement can be customized.

Mechanical Dimensions



Description:

Model	Motor Length
11HY2xxx	28mm
11HY3xxx	33mm
11HY4xxx	41mm
11HY5xxx	50mm

Wiring Diagram

