

# STA® Pull Magnetic Latching Solenoid — 13 mm Dia. x 16 mm

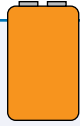
Part Number: 151094 - X XX

All catalogue products manufactured after April 1, 2006 are RoHS Compliant

Coil AWG Number  
(from performance chart below)

Plunger Configurations and anti-rotation flat on mounting  
 1 Flat Face plunger without anti-rotation flat on mounting  
 2 60° plunger without anti-rotation flat on mounting  
 5 Flat Face plunger with anti-rotation flat on mounting  
 6 60° plunger with anti-rotation flat on mounting

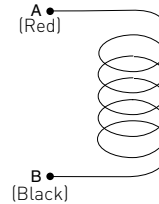
Well-suited for battery operation.



See the "Battery Operated Solenoids" section for complete information.

## Coil Polarity

Latch: A+ B-  
 Unlatch: A- B+



LINEAR Tubular

## Performance

	Unlatched Voltage			
	50%	25%	10%	
Maximum Duty Cycle				
Maximum ON Time (sec) when pulsed continuously <sup>1</sup>	n/a	50	5	2
Watts (@ 20°C)	3	6	12	30
Ampere Turns (@ 20°C)	268	379	536	847

### Coil Data

avg (0XX) <sup>2</sup>	Resistance (@20°C)	# Turns <sup>3</sup>	Unlatched VDC	VDC (Nom)	VDC (Nom)	VDC (Nom)
27	0.48	108	1.2	1.7	2.4	3.8
28	0.67	123	1.5	2.1	2.9	4.6
29	1.33	184	1.9	2.7	4.0	6.1
30	1.80	204	2.4	3.3	4.7	7.5
31	3.33	290	3.1	4.4	6.2	9.7
32	4.57	325	3.8	5.3	7.5	11.9
33	7.80	432	4.8	6.8	9.7	15.3
34	13.10	567	6.2	8.8	12.4	20.0
35	17.80	630	7.6	11.0	15.0	24.0
36	29.05	808	9.6	14.0	19.0	30.0
37	45.70	1008	12.2	17.0	24.0	38.0

- <sup>1</sup> Continuously pulsed at stated watts and duty cycle
- <sup>2</sup> Other coil awg sizes available — please consult factory
- <sup>3</sup> Reference number of turns

## Specifications

Operation	Pull
Dielectric Strength	500 VRMS
Recommended Minimum Heat Sink	Maximum watts dissipated by solenoid are based on an unrestricted flow of air at 20°C, with solenoid mounted on the equivalent of an aluminium plate measuring 51 mm square by 3.2 mm thick
Unlatch Voltage	See schematic and coil data
Magnet Hold Force	2 N (with return spring)
Coil Insulation	Class "B": 130°C max. temperature standard. Other temperature classes are available.
Coil Termination	25 mm PVC lead wires
Plunger Pole Face	60° with return spring (other options available upon request)
Spring Force	9.8 N: 1.2 N latched position
Weight	14.7 g
Plunger Weight	2.6 g
Dimensions	See page F31

## How to Order

Add the plunger configuration, anti-rotation flat number, and the coil awg number to the part number (for example: to order a 60° plunger unit without an anti-rotation flat, rated for 4.7 VDC at 25% duty cycle, specify 151094-250).

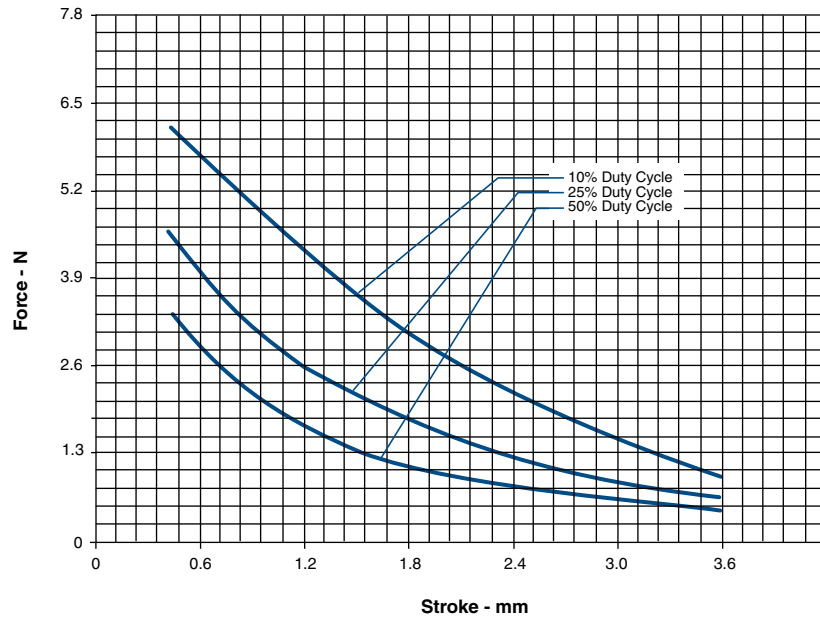
Please see [www.ledex.com](http://www.ledex.com) (click on Stock Products tab) for our list of stock products available through our distributors.

All specifications subject to change without notice.

# STA<sup>®</sup> Pull Magnetic Latching Solenoid — 13 mm Dia. x 16 mm

Pull Tubular Solenoid – 13 mm dia. x 16 mm – 60° Plunger

Typical Force @ 20°C (Net, with Spring)



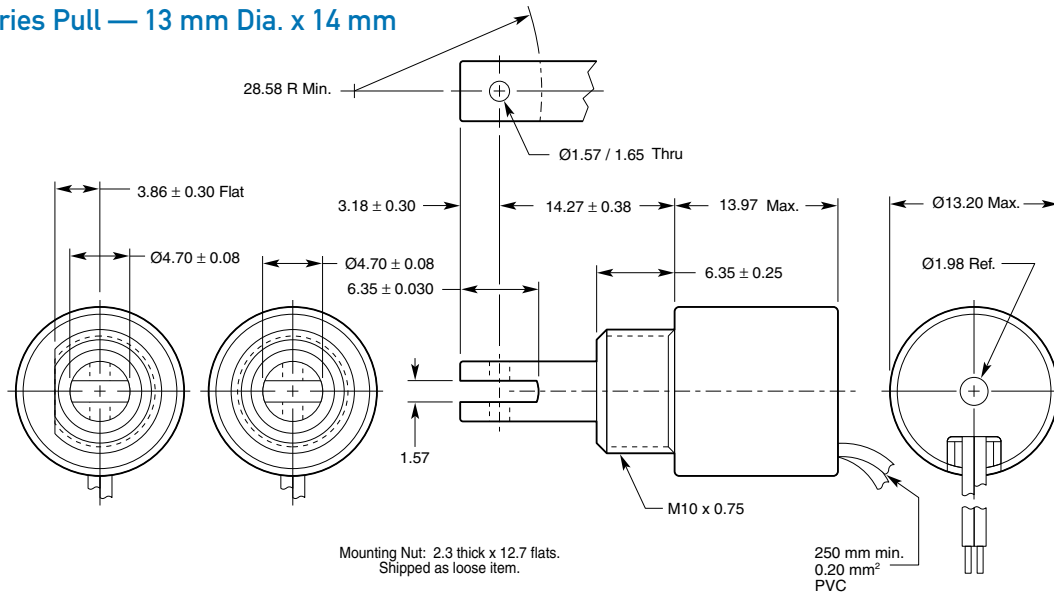
LINEAR Tubular

All specifications subject to change without notice.

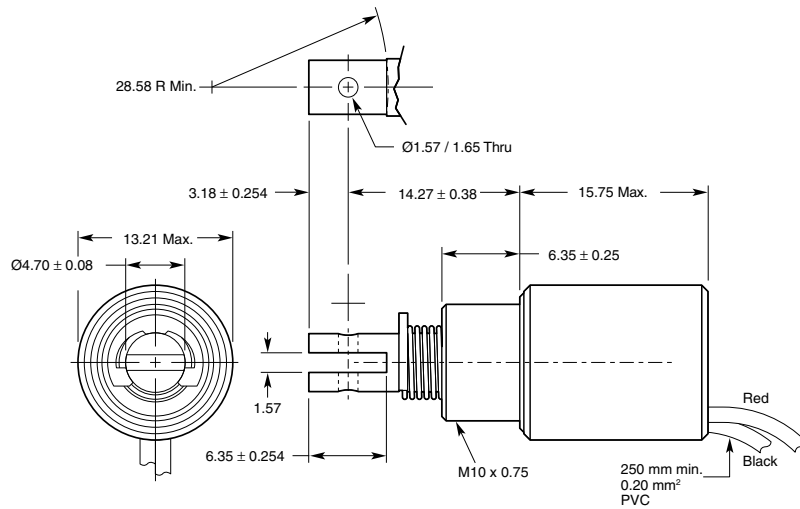
# Ledex® Tubular Solenoids Dimensions

mm

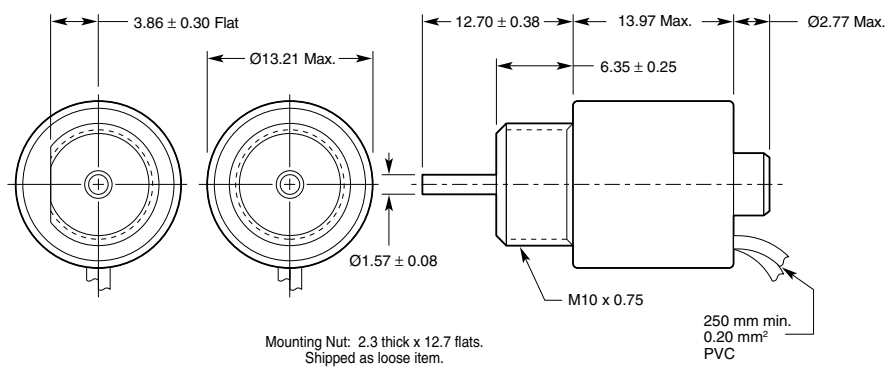
## STA® Series Pull — 13 mm Dia. x 14 mm



## STA® Series Magnetic Latching Pull — 13 mm Dia. x 16 mm



## STA® Series Push — 13 mm Dia. x 14 mm



All solenoids are illustrated in energised state

All specifications subject to change without notice.