

Ledex® Box Frame Size B28HDM — DC Operation

Part Number: B28HDM - **XXX** - B- 4

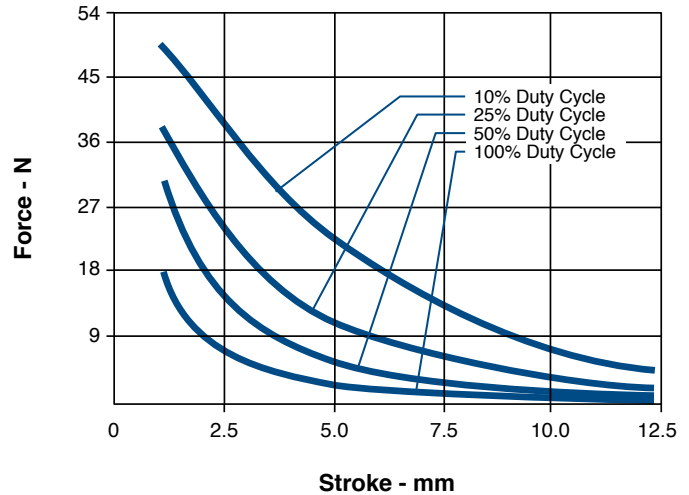
All catalogue products manufactured after April 1, 2006 are RoHS Compliant

Select from performance chart below

Specifications

Operation	Pull
Dielectric Strength	1500 VRMS for one second
Continuous Duty Cycle	100% at 20°C ambient temperature
Intermittent Duty Cycle	See below
Minimum Heat Sink	None
Holding Force	27.8 N at 20°C
Coil Resistance	±5% tolerance
Coil Insulation	Class "B": 130°C max. temperature standard. Other temperature classes are available
Coil Termination	250 mm PVC leads
Plunger Weight	23.8 g
Total Weight	141.8 g
Dimensions	See page H42

Typical Force @ 20°C



Performance

Maximum Duty Cycle	100%	50%	25%	10%
Maximum ON Time (sec) when pulsed continuously	∞	159	36	10
Maximum ON Time (sec) for single pulse	∞	477	123	32
Watts (@ 20°C)	6.2	12.4	24.8	62
Ampere Turns (@ 20°C)	621	878	1242	1963

Part Number	Coil Data		VDC (Nom)	VDC (Nom)	VDC (Nom)	VDC (Nom)
	Resistance (@20°C)	Ref # Turns				
B28HDM-255-B-4	6	624	6.1	8.6	12.2	19
B28HDM-254-B-4	25	1273	12.4	18	25	39
B28HDM-253-B-4	99	2524	25	35	50	78
B28HDM-252-B-4	375	4791	48	68	96	153
B28HDM-251-B-4	2250	11257	119	167	236	374

NOTES:

- All data is typical.
- Force testing is done with the solenoid in the horizontal position.
- All data reflects operation with no heat sink.
- Other coil terminations available.
- Pull versions standard; push versions available.

How to Order

Select the part number from the table provided. (For example, to order a 25% duty cycle unit rated at 50 VDC, specify B28HDM-255-B-4.

Please see www.ledex.com (click on Stock Products tab) for our list of stock products available through our distributors.

Force values for reference only.

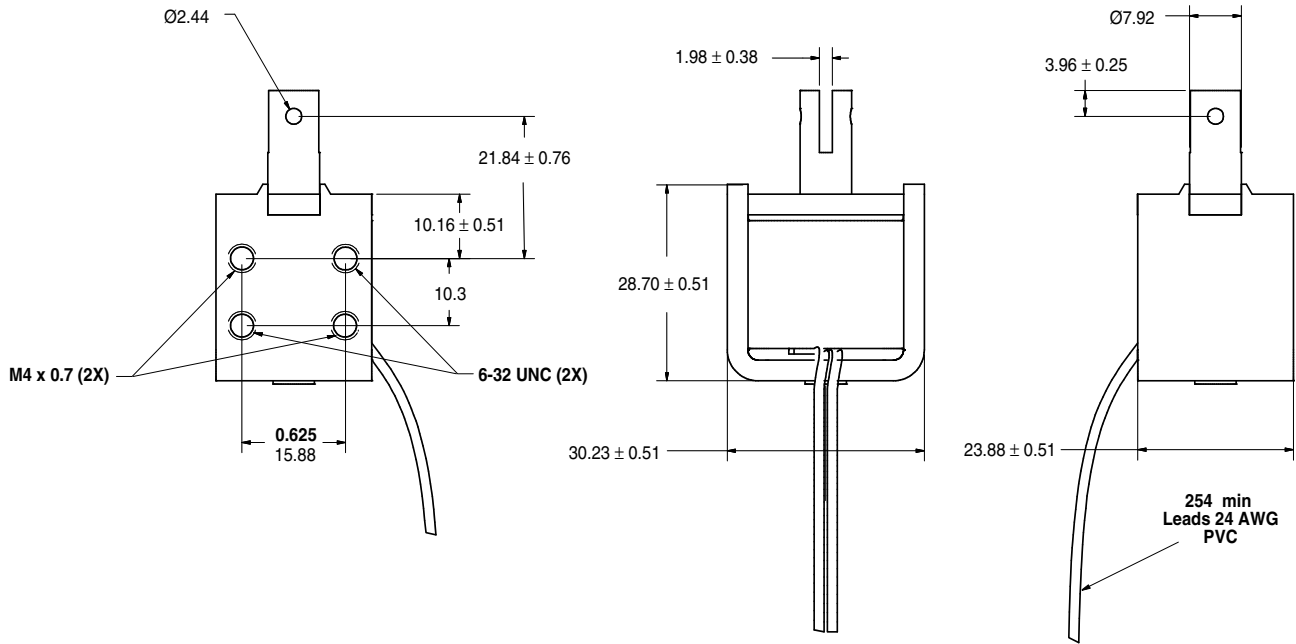
All specifications subject to change without notice.

Ledex® Box Frame Dimensions

mm

All solenoids are illustrated in energized state

B28M



LINEAR Open Frame

B28HDM

