

# Ledex® Box Frame Size B11HDM — DC Operation

Part Number: B11HDM - XXX - B- 3

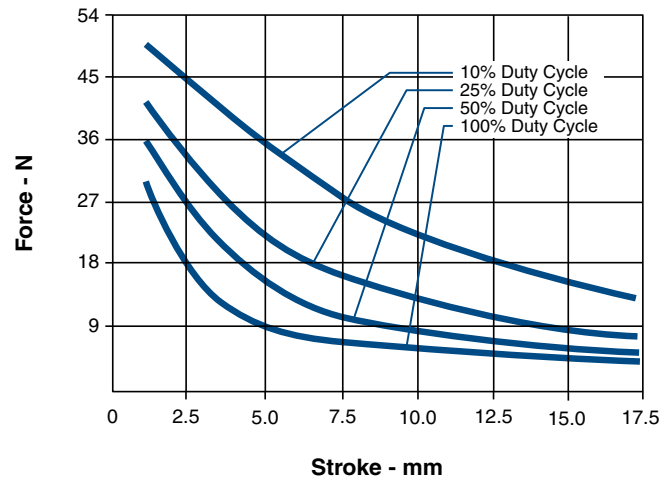
All catalogue products manufactured after April 1, 2006 are RoHS Compliant

Select from performance chart below

## Specifications

Operation	Pull
Dielectric Strength	1500 VRMS for one second
Continuous Duty Cycle	100% at 20°C ambient temperature
Intermittent Duty Cycle	See below
Minimum Heat Sink	None
Holding Force	34.5 N)at 20°C
Coil Resistance	±5% tolerance
Coil Insulation	Class "B": 130°C max. temperature standard. Other temperature classes are available
Coil Termination	250 mm PVC leads
Plunger Weight	38 g
Total Weight	192.8 g
Dimensions	See page H34

## Typical Force @ 20°C



## Performance

Maximum Duty Cycle	100%	50%	25%	10%		
Maximum ON Time (sec) when pulsed continuously	∞	382	71	21		
Maximum ON Time (sec) for single pulse	∞	528	164	48		
Watts (@ 20°C)	9	18	36	90		
Ampere Turns (@ 20°C)	1119	1582	2238	3539		
Coil Data						
Part Number	Resistance (@20°C)	Ref # Turns	VDC (Nom)	VDC (Nom)	VDC (Nom)	VDC (Nom)
B11HDM-255-B-3	4.2	780	6.1	8.7	12.3	19
B11HDM-254-B-3	16.7	1533	12.3	17	25	39
B11HDM-253-B-3	67	3050	25	35	49	78
B11HDM-252-B-3	286	6360	51	72	102	160
B11HDM-251-B-3	1710	14973	124	176	248	382

## How to Order

Select the part number from the table provided. (For example, to order a 25% duty cycle unit rated at 49 VDC, specify B11HDM-253-B-3.

Please see [www.ledex.com](http://www.ledex.com) (click on Stock Products tab) for our list of stock products available through our distributors.

## NOTES:

- All data is typical.
- Force testing is done with the solenoid in the horizontal position.
- All data reflects operation with no heat sink.
- Magnetic latching versions available. Pull versions standard; push versions available.
- Other coil terminations available.

Force values for reference only.

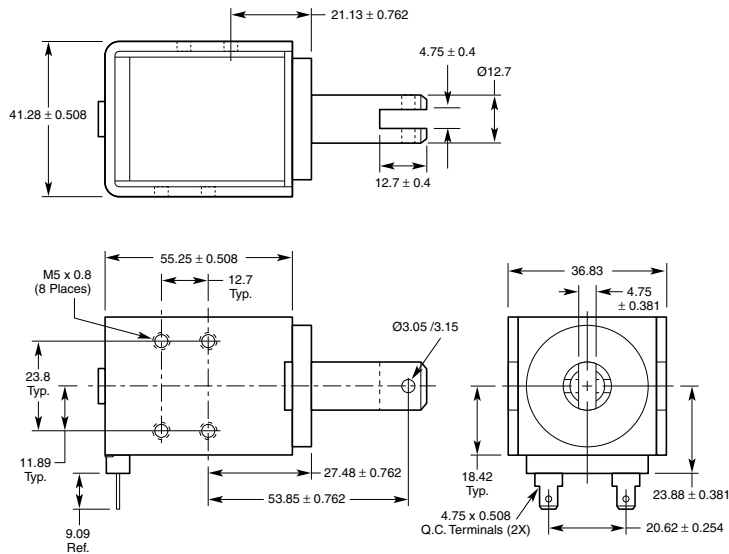
All specifications subject to change without notice.

# Ledex® Box Frame Dimensions

mm

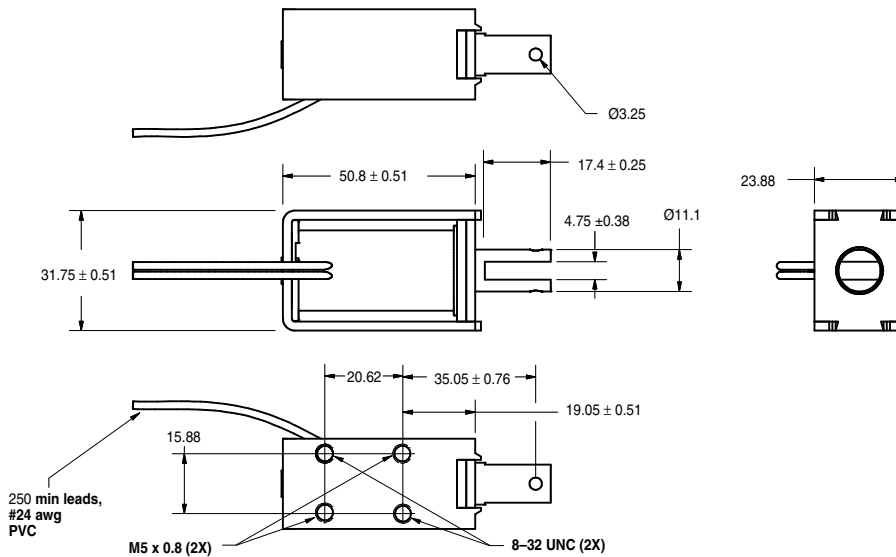
All solenoids are illustrated in energised state

## B4HDM



## B11HDM

LINEAR Open Frame



All specifications subject to change without notice.