

Ledex® Size 150M Pull Tubular Solenoids — 38 mm Dia. x 64 mm

Part Number: 282367-0XX

All catalogue products manufactured after April 1, 2006 are RoHS Compliant

Performance

Maximum Duty Cycle	100%	50%	25%	10%
Maximum ON Time (sec) when pulsed continuously ¹	∞	420	100	25
Maximum ON Time (sec) for single pulse ²	∞	570	252	75
Watts (@ 20°C)	17	34	68	170
Ampere Turns (@ 20°C)	1800	2546	3600	5692

Coil Data						
awg (0XX) ³	Resistance (@20°C)	# Turns ⁴	VDC (Nom)	VDC (Nom)	VDC (Nom)	VDC (Nom)
23	5.58	1030	9.8	13.9	19.7	31.0
24	9.30	1344	12.4	17.6	25.0	39.0
25	14.90	1712	15.7	22.0	31.0	50.0
26	24.00	2180	19.9	28.0	40.0	63.0
27	36.90	2680	25.0	35.0	50.0	79.0
28	58.40	3322	32.0	45.0	63.0	100.0
29	87.50	4008	39.0	56.0	79.0	124.0
30	148.00	5292	50.0	71.0	101.0	159.0
31	224.00	6360	63.0	90.0	127.0	200.0
32	344.00	7956	78.0	110.0	155.0	246.0
33	554.00	10070	100.0	141.0	199.0	315.0

- Continuously pulsed at stated watts and duty cycle
- Single pulse at stated watts (with coil at ambient room temperature 20°C)
- Other coil awg sizes available — please consult factory
- Reference number of turns

Specifications

Dielectric Strength	1000 VRMS
Recommended Minimum Heat Sink	Maximum watts dissipated by solenoid are based on an unrestricted flow of air at 20°C, with solenoid mounted on the equivalent of an aluminium plate measuring 152 mm square by 3.2 mm thick
Coil Resistance	±5% tolerance
Holding Force	64.5 N at 20°C
Weight	481.8 g
Dimensions	See page F37

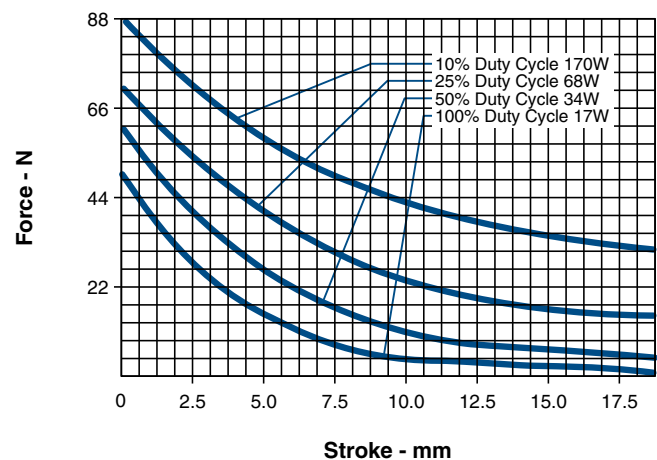
How to Order

Add the coil awg number (0XX) to the part number (for example: to order a 25% duty cycle unit rated at 50 VDC, specify 282367-027).

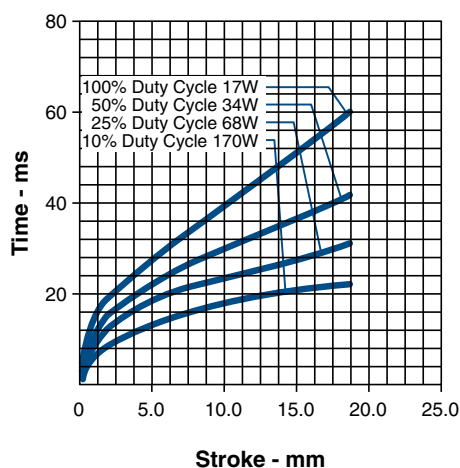
Please see www.ledex.com (click on Stock Products tab) for our list of stock products available through our distributors.

LINEAR Tubular

Size 150M Pull — Typical Force @ 20°C



Size 150M Pull — Typical Speed @ No Load, 20°C

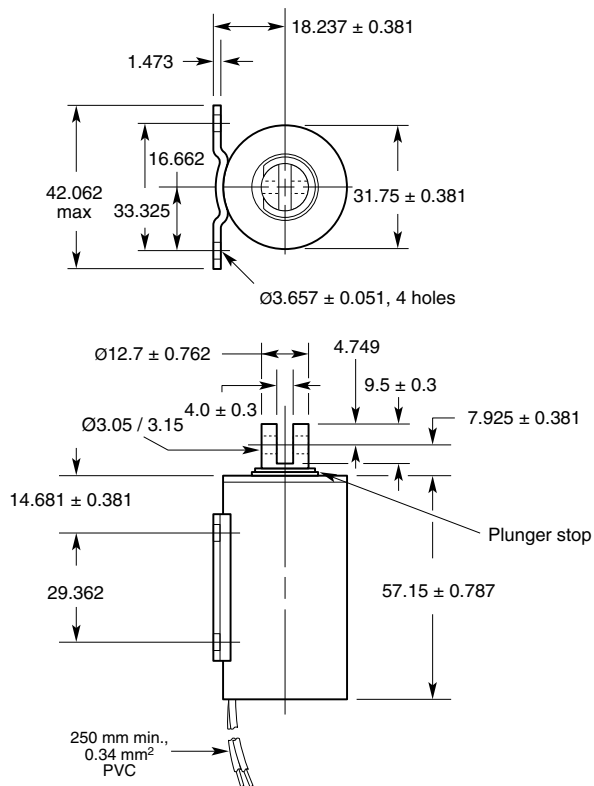


All specifications subject to change without notice.

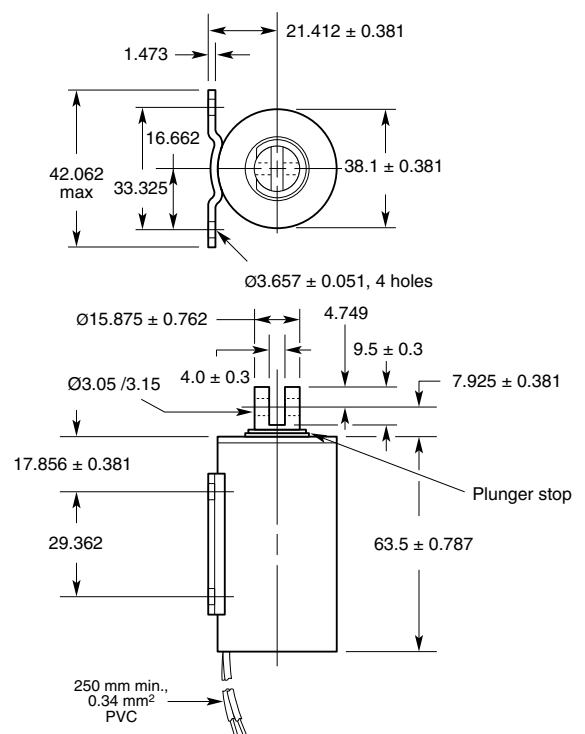
Ledex® Tubular Solenoids Dimensions

mm

Ledex® Size 125M Pull — 32 mm Dia. x 57 mm



Ledex® Size 150M Pull — 38 mm Dia. x 64 mm



LINEAR Tubular

All solenoids are illustrated in energised state

All specifications subject to change without notice.