

UGR

UGR (STG 200)

Dimensions (mm)	70 x 130
Height (mm)	38
Max. torque (cNm)	2000
Ratios	12.5 ... 375
Internal slipping clutch	none
Standard shaft (mm)	Ø 12 x 35
Weight (g)	depends on ratio
Motor combination	UP



Standard Data

Mounting	any position
Max. input speed *	3000 min ⁻¹
Max. output torque *	2000 cNm
Max. input -and output power *	please refer to table in Technical Data
Average back lash unload	0.75°
2/3 stages with 4/10 Nm	1.25°
4/5 stages with 15/20 Nm	2°
Max. axial force F _A	60 N
Max. lateral force F _R , 20 mm from lange	80 N
Max. axial play	0.3 mm
Max. radial play	83 µm
Ambient temperature operation	-15...+60°C
Ambient temperature storage	-40 ... +100 °C

Ratio	12 1/2	37 1/2	62 1/2	75	93 3/4	125	250	375
-------	--------	--------	--------	----	--------	-----	-----	-----

* Depends on ratio, see next page

Order Reference

Type	Gearbox	UGR	12 1/2	N	N
Ratio	12 1/2				
Mounting layouts	N	standard			
Shaft end	N	Ø 12 x 35, others upon request			
optional	motor pinion: see next pages	Motor Pinion Data			

Technical Data

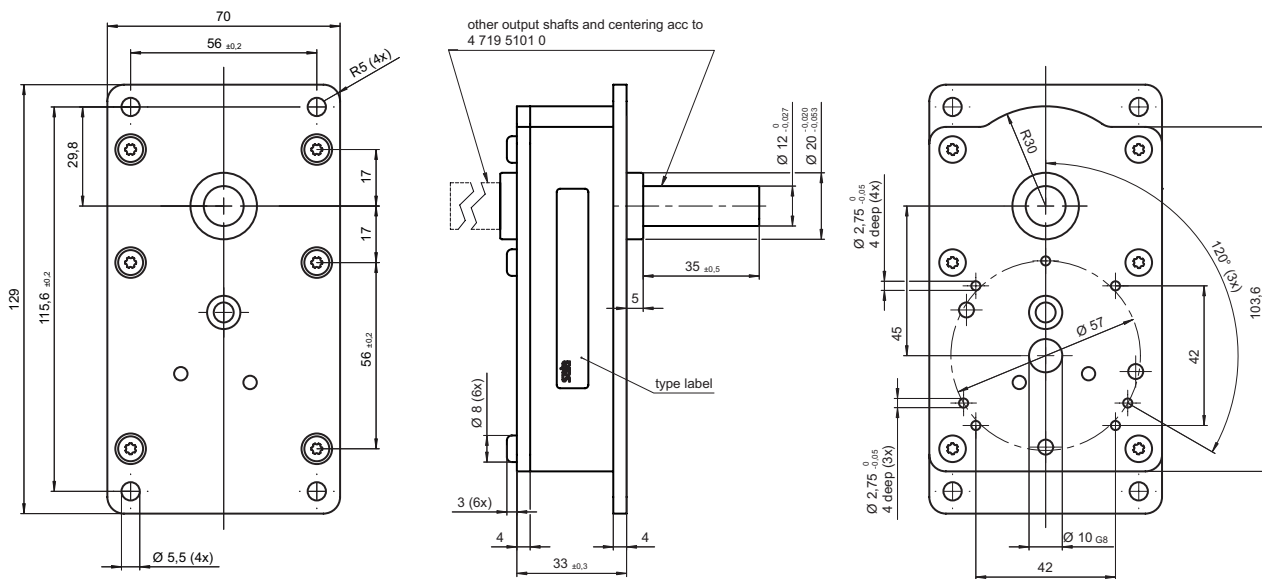
Ratio	Stages *	Efficiency	Pinion type	Weight	Max. torque (Nm)	Max. input speed (rpm)
12 1/2	2	0.77	1	560	3.6	1500
37 1/2	3	0.68	2	580	9.9	3000
62 1/2	4	0.60	3	600	14.6	3000
75	4	0.60	4	600	17.5	3000
93 3/4	4	0.60	4	600	20	3000
125	4	0.60	4	600	20	3000
250	5	0.53	5	620	20	3000
375	5	0.53	2	620	20	3000

Additionally to the input speed limit: max. 120 rpm output speed

Technical Data valid for an ambient temperature operation: -15...+60°C

* Direction of rotation of output- and motor-shaft at
 2 and 4 stages - same
 3 and 5 stages - opposite

Dimensions other shafts on request

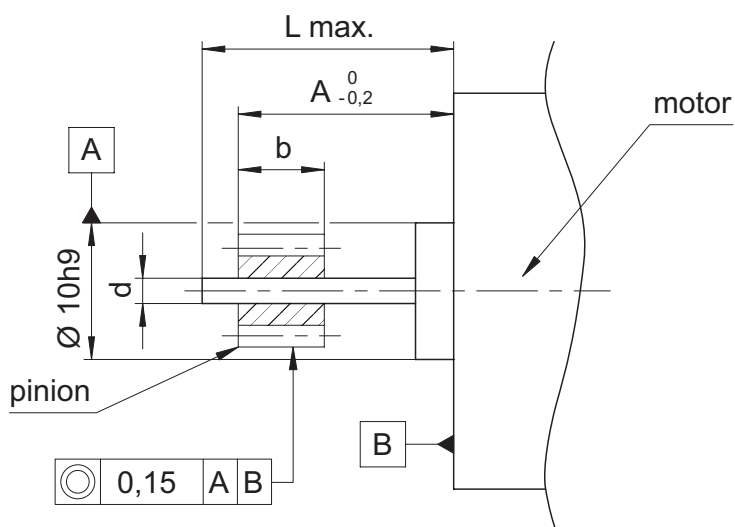


not dimensioned holes suitable for adaptor plate AP60 (accessories)
 holes ø2,75 are intended for thread forming screws M3

Motor Pinion Data

pinion type	pinion length b	motor pinion with hole d: 022 100 020 ...		
		Ø3S7	Ø4X7	Ø5S7
1	11.5	-	130	140
2	6.8	280	290	300
3	11.5	360	370	380
4	11.5	400	410	-
5	6.8	-	250	260

Dimensions for motor assembly



Pinion position	Dimension	„a“	„b“ max.	„b“ min.
2 gear stages		16.1-0.2	28	10
3 gear stages		10.3-0.2	10.3	8.1
4 gear stages		15.1-0.2	15	8.1 (13.5 bei Ø 5)
5 gear stages		10.9-0.2	11	8.1