

Soft Shift® Size 4EPM

Part Number: 196657-0XX

All catalogue products manufactured after April 1, 2006 are RoHS Compliant

Performance

Maximum Duty Cycle	100%	50%	25%	10%
Maximum ON Time (sec) when pulsed continuously ¹	∞	100	36	9
Maximum ON Time (sec) for single pulse ²	∞	162	44	10
Watts (@ 20°C)	12.5	25	50	125
Ampere Turns (@ 20°C)	714	1000	1425	2250

Coil Data

awg (0XX) ³	Resistance (@20°C)	# Turns ⁴	VDC (Nom)	VDC (Nom)	VDC (Nom)	VDC (Nom)
23	1.59	266	4.3	6.0	8.5	13.4
24	2.20	301	5.2	7.3	10.4	16.4
25	3.54	384	6.6	9.2	13.1	21.0
26	5.67	486	8.3	11.7	16.6	26.0
27	8.76	600	10.4	14.6	21.0	33.0
28	13.80	748	13.2	18.5	26.0	42.0
29	22.60	975	16.6	23.0	33.0	52.0
30	34.80	1190	21.0	29.0	42.0	66.0
31	56.70	1520	27.0	37.0	53.0	84.0
32	88.30	1908	33.0	46.0	66.0	104.0
33	138.00	2360	42.0	59.0	83.0	132.0

- ¹ Continuously pulsed at stated watts and duty cycle
- ² Single pulse at stated watts (with coil at ambient room temperature 20°C)
- ³ Other coil awg sizes available — please consult factory
- ⁴ Reference number of turns

Specifications

Stroke	7.62 ± 0.762 mm
Dielectric Strength	1000 VRMS (23-24 awg); 1200 VRMS (25-33 awg)
Recommended Minimum Heat Sink	Maximum watts dissipated by solenoid are based on an unrestricted flow of air at 20°C, with solenoid mounted on the equivalent of an aluminium plate measuring 158.8 mm square by 3.2 mm thick
Coil Resistance	±5% tolerance on all coil awg
Spring Rate	159.3 Nmm; 1.6 N ±30% preload reference
Weight	198.4 g
Dimensions	See page E10

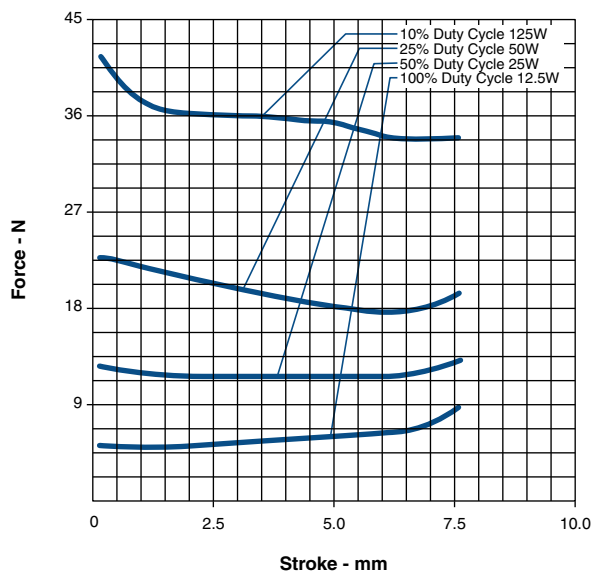
How to Order

Add the coil awg number (0XX) to the part number (for example: to order a 25% duty cycle unit rated at 21 VDC, specify 196657-027).

Please see www.lex.com (click on Stock Products tab) for our list of stock products available through our distributors.

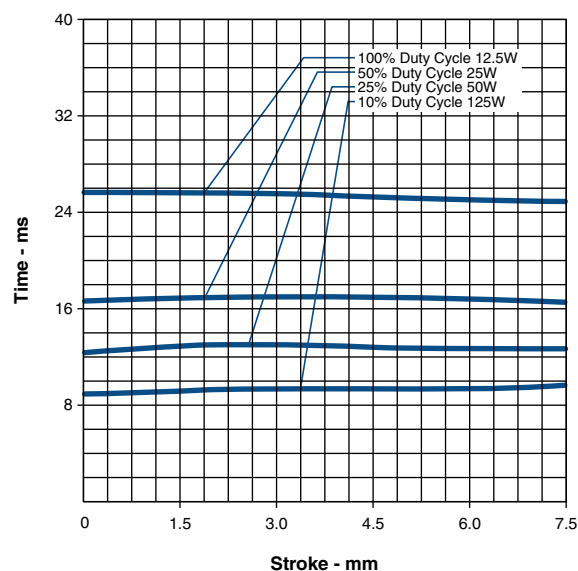
LINEAR Soft Shift®

Size 4EPM — Typical Force @ 20°C



Force values for reference only.

Size 4EPM — Typical Speed @ No Load, 20°C



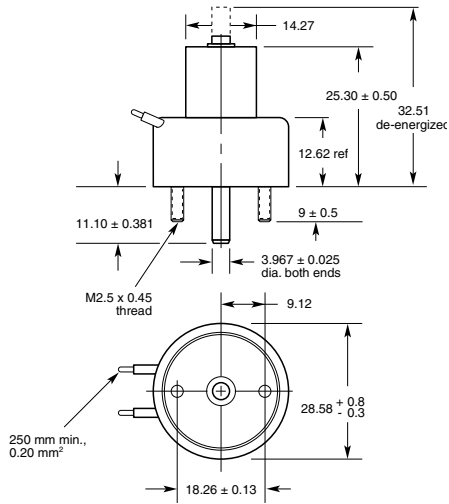
All specifications subject to change without notice.

Soft Shift® Dimensions

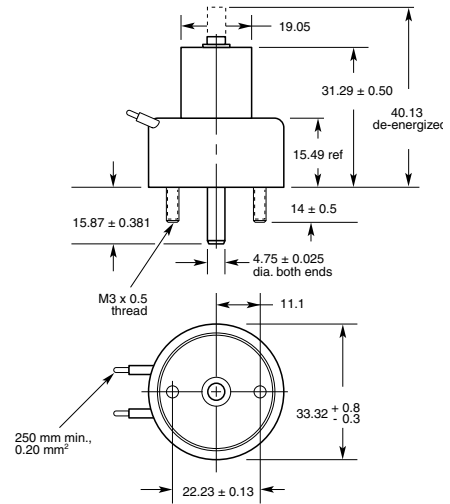
mm

All solenoids are illustrated in energised state

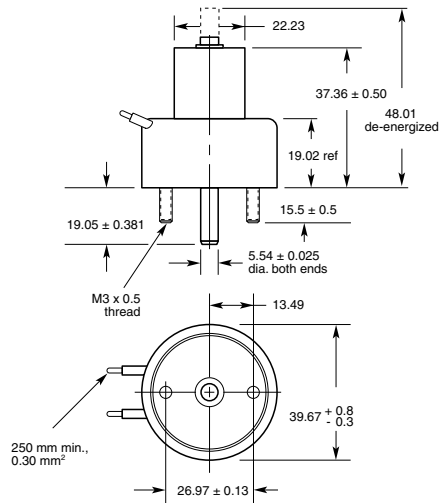
Size 2EPM



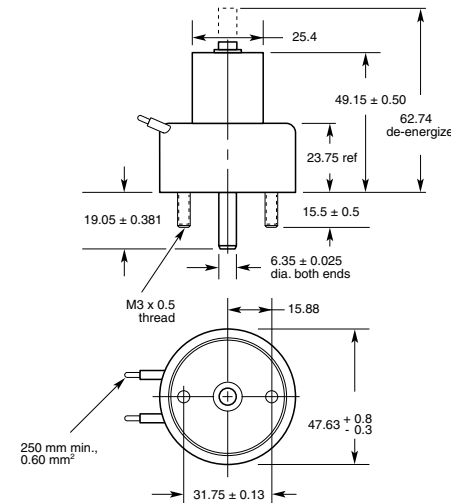
Size 3EPM



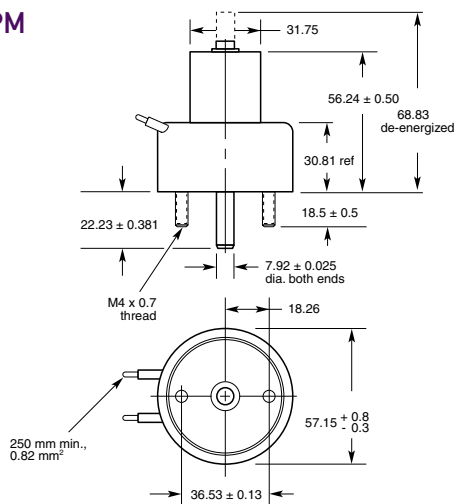
Size 4EPM



Size 5EPM



Size 6EPM



All specifications subject to change without notice.