

# Soft Shift® Size 3EPM

Part Number: 196656-0XX

All catalogue products manufactured after April 1, 2006 are RoHS Compliant

## Performance

Maximum Duty Cycle	100%	50%	25%	10%
Maximum ON Time (sec) when pulsed continuously <sup>1</sup>	∞	100	36	8
Maximum ON Time (sec) for single pulse <sup>2</sup>	∞	162	44	9
Watts (@ 20°C)	9	18	36	90
Ampere Turns (@ 20°C)	535	756	1070	1690

### Coil Data

awg (0XX) <sup>3</sup>	Resistance (@20°C)	# Turns <sup>4</sup>	VDC (Nom)	VDC (Nom)	VDC (Nom)	VDC (Nom)
23	0.70	145	2.6	3.7	5.2	8.2
24	1.18	192	3.3	4.6	6.6	10.4
25	1.97	252	4.2	5.9	8.4	13.2
26	3.26	328	5.3	7.5	10.6	16.8
27	5.04	405	6.7	9.4	13.3	21.0
28	8.02	510	8.4	11.9	16.8	27.0
29	12.21	627	10.4	14.7	21.0	33.0
30	19.20	780	13.2	18.6	26.0	42.0
31	31.84	1008	16.9	24.0	34.0	53.0
32	46.97	1215	21.0	29.0	41.0	65.0
33	75.30	1530	26.0	37.0	53.0	83.0

- <sup>1</sup> Continuously pulsed at stated watts and duty cycle
- <sup>2</sup> Single pulse at stated watts (with coil at ambient room temperature 20°C)
- <sup>3</sup> Other coil awg sizes available — please consult factory
- <sup>4</sup> Reference number of turns

## Specifications

Stroke	6.35 ± 0.762 mm
Dielectric Strength	1000 VRMS (23-27 awg); 1200 VRMS (28-33 awg)
Recommended Minimum Heat Sink	Maximum watts dissipated by solenoid are based on an unrestricted flow of air at 20°C, with solenoid mounted on the equivalent of an aluminium plate measuring 117.5 mm square by 3.2 mm thick
Coil Resistance	±5% tolerance on all coil awg
Spring Rate	82.5 Nmm: 1.0 N ±30% preload reference
Weight	113.4 g
Dimensions	See page E10

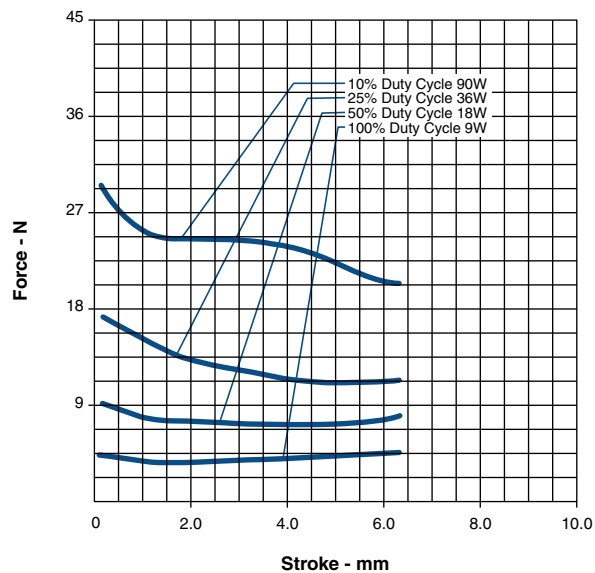
## How to Order

Add the coil awg number (0XX) to the part number (for example: to order a 25% duty cycle unit rated at 13.3 VDC, specify 196656-027).

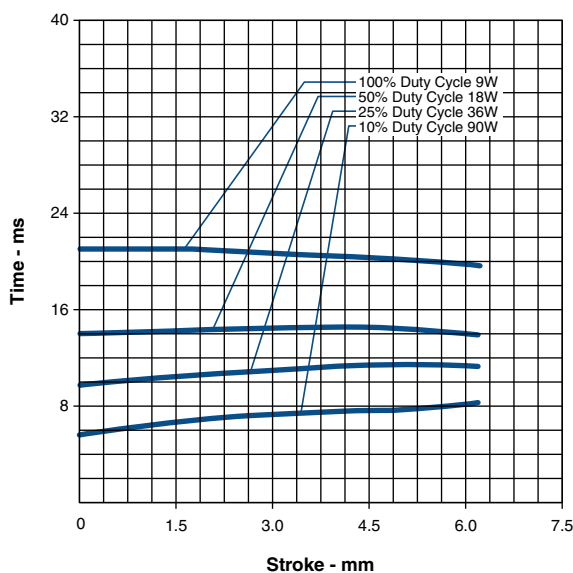
Please see [www.ledex.com](http://www.ledex.com) (click on Stock Products tab) for our list of stock products available through our distributors.

LINEAR Soft Shift®

## Size 3EPM — Typical Force @ 20°C



## Size 3EPM — Typical Speed @ No Load, 20°C



Force values for reference only.

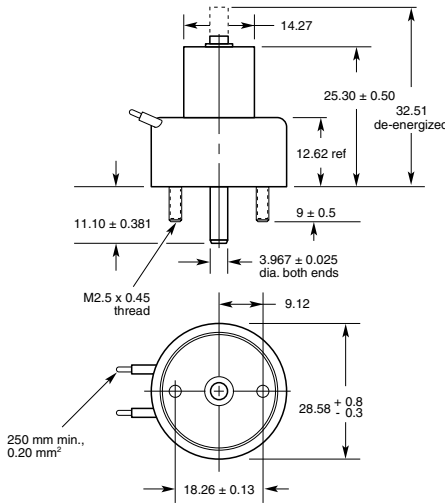
All specifications subject to change without notice.

# Soft Shift® Dimensions

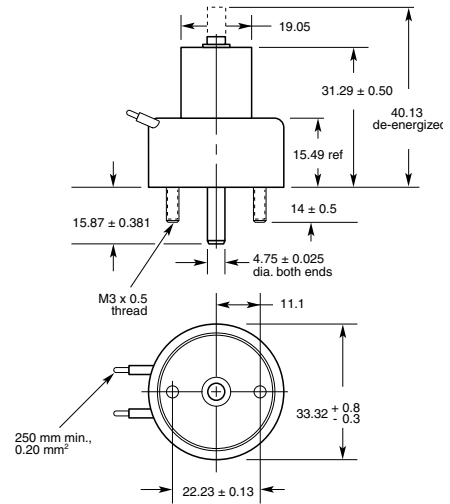
mm

All solenoids are illustrated in energised state

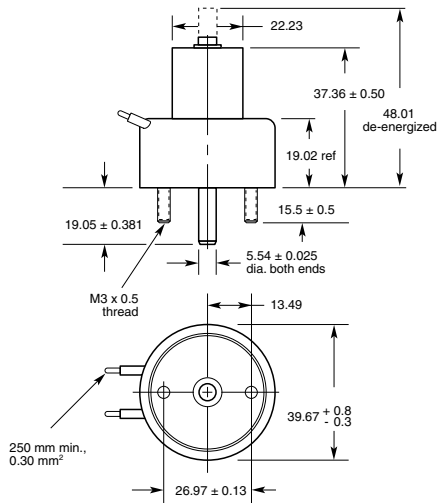
## Size 2EPM



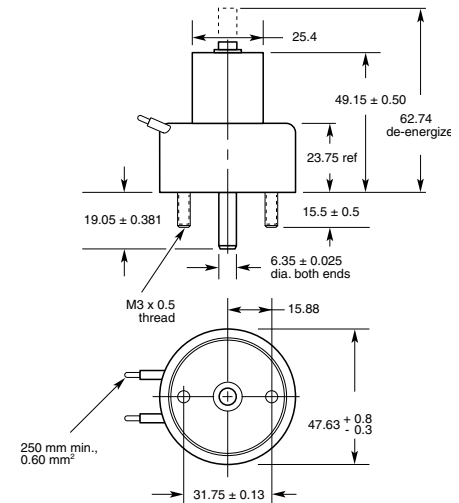
## Size 3EPM



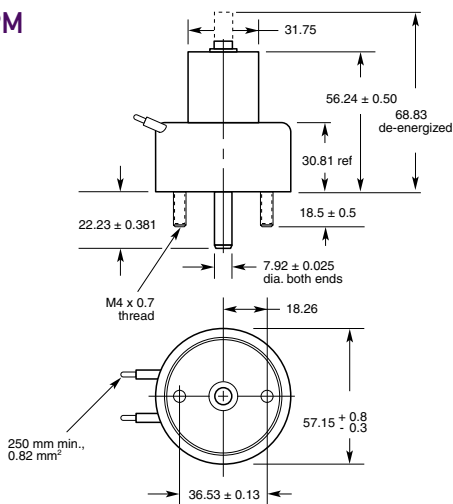
## Size 4EPM



## Size 5EPM



## Size 6EPM



All specifications subject to change without notice.