

Soft Shift® Size 2EPM

Part Number: 196655-0XX

All catalogue products manufactured after April 1, 2006 are RoHS Compliant

Performance

Maximum Duty Cycle	100%	50%	25%	10%
Maximum ON Time (sec) when pulsed continuously ¹	∞	100	36	7
Maximum ON Time (sec) for single pulse ²	∞	162	44	8
Watts (@ 20°C)	7	14	28	70
Ampere Turns (@ 20°C)	425	602	849	1350

Coil Data

awg (0XX) ³	Resistance (@20°C)	# Turns ⁴	VDC (Nom)	VDC (Nom)	VDC (Nom)	VDC (Nom)
24	0.68	130	2.2	3.2	4.5	7.1
25	1.16	174	2.8	4.0	5.7	9.0
26	1.96	231	3.6	5.1	7.2	11.5
27	3.16	296	4.5	6.4	9.0	14.4
28	5.10	378	5.7	8.1	11.5	18.2
29	6.94	423	7.0	9.9	13.9	22.0
30	11.03	530	8.8	12.5	17.7	28.0
31	16.85	649	11.0	15.6	22.0	35.0
32	28.15	858	13.9	19.8	28.0	44.0
33	42.75	1036	17.5	25.0	35.0	56.0
34	69.56	1312	23.0	32.0	45.0	72.0
35	112.00	1674	29.0	40.0	57.0	91.0

- Continuously pulsed at stated watts and duty cycle
- Single pulse at stated watts (with coil at ambient room temperature 20°C)
- Other coil awg sizes available — please consult factory
- Reference number of turns

Specifications

Stroke	4.06 ± 0.762 mm
Dielectric Strength	1000 VRMS
Recommended Minimum Heat Sink	Maximum watts dissipated by solenoid are based on an unrestricted flow of air at 20°C, with solenoid mounted on the equivalent of an aluminium plate measuring 85.7 mm square by 3.2 mm thick
Coil Resistance	±5% tolerance on all coil awg
Spring Rate	123.2 Nmm; 0.6 N ±30% preload reference
Weight	70.9 g
Dimensions	See page E10

How to Order

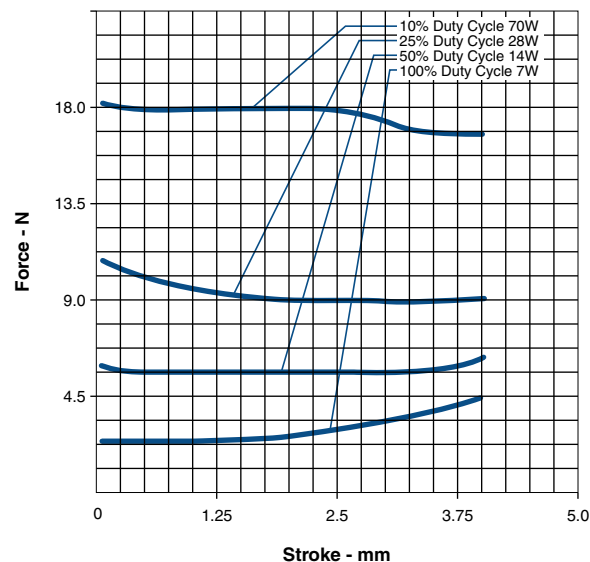
Add the coil awg number (0XX) to the part number (for example: to order a 25% duty cycle unit rated at 9 VDC, specify 196655-027).

Please see www.lex.com (click on Stock Products tab) for our list of stock products available through our distributors.

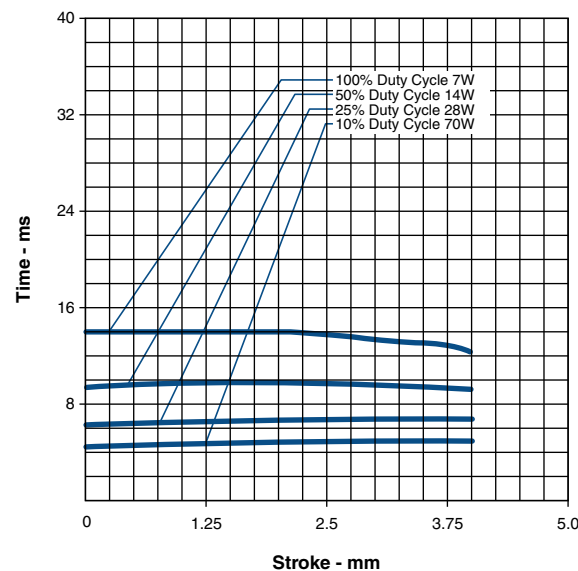
- Well-suited for battery operation. See the "Battery Operated Solenoids" section for complete information.



Size 2EPM — Typical Force @ 20°C



Size 2EPM — Typical Speed @ No Load, 20°C



Force values for reference only.

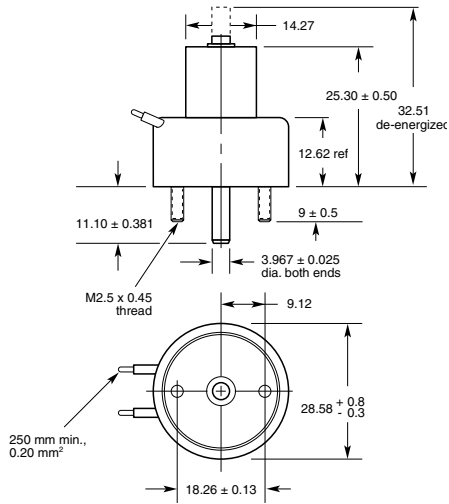
All specifications subject to change without notice.

Soft Shift® Dimensions

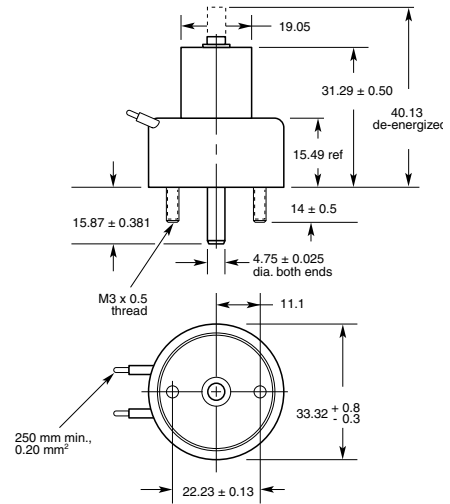
mm

All solenoids are illustrated in energised state

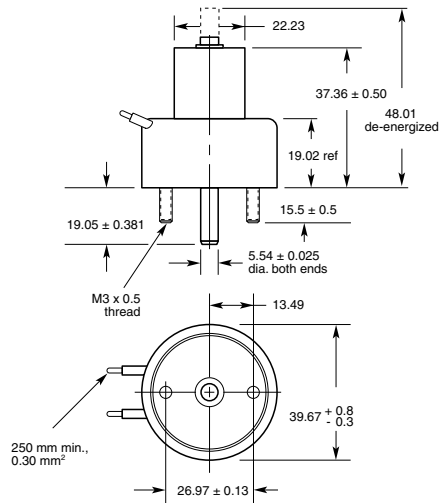
Size 2EPM



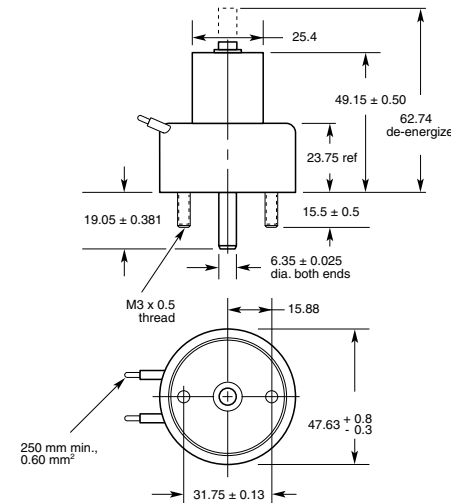
Size 3EPM



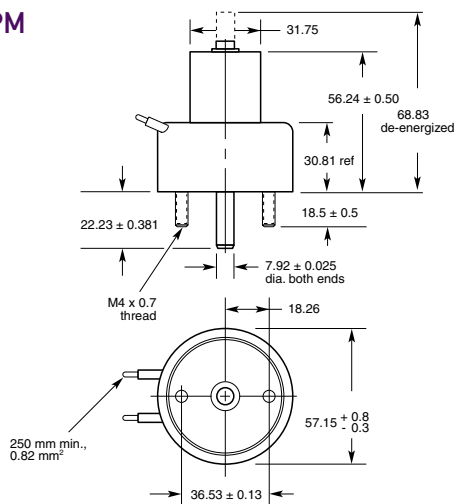
Size 4EPM



Size 5EPM



Size 6EPM



All specifications subject to change without notice.

LINEAR Soft Shift®