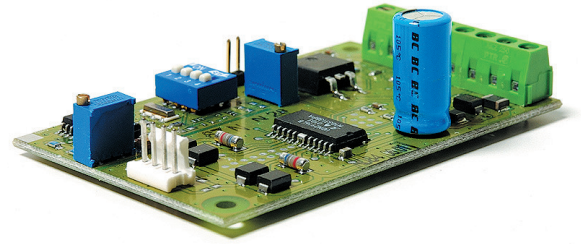


Samotronic102

SAMOTRONIC102

Driver	for bipolar motors
Dimensions (mm)	84 x 54
Supply voltage (VDC)	<ul style="list-style-type: none">■ standard version 10 DC-24■ enhanced version 10 DC-42
Motor current	<ul style="list-style-type: none">■ constant current drive (chopper controlled)■ adjustable via potentiometer
Step mode	full/half step
Clock source	internal or external
Control inputs to	<ul style="list-style-type: none">■ inhibit internal clock■ inhibit motor current■ change direction of rotations
Configuration	via DIP-switch, potentiometer
Test pins	<ul style="list-style-type: none">■ motor current■ step frequency



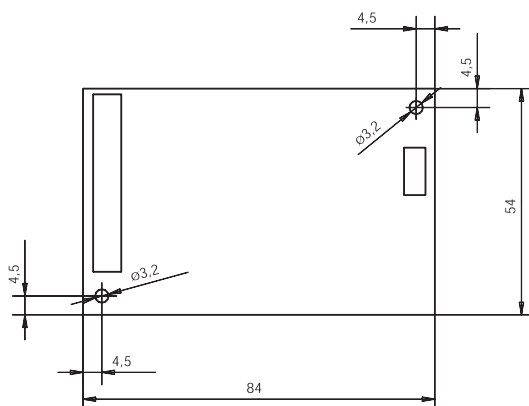
Preferred Range

Ordering Reference	
4 636 6733 0	10-24VDC supply voltage (standard version)
4 636 6733 3	10-42VDC supply voltage (enhanced version)
If motors are also to be ordered please state: "with MTA-100 receptacles for use with SAMOTRONIC102".	

Technical Data

Supply voltage	10-24 (42)VDC
Phase current	71-500 mA, on request max. 735mA/ph
Chopper frequency	typ. 20kHz
Control signal level	LS-TTL (0-5V) for all control inputs
Internal clock	50-1325 Hz
External clock	up to 2 kHz
Dimensions	84 x 54 mm
Operating temperature	-20 to +60 °C
Storage temperature	-20 to +80 °C

Dimensions



For latest technical and safety compliance information regarding these products, please download the relevant data sheet from our web site: www.saia-burgess.com/drivers