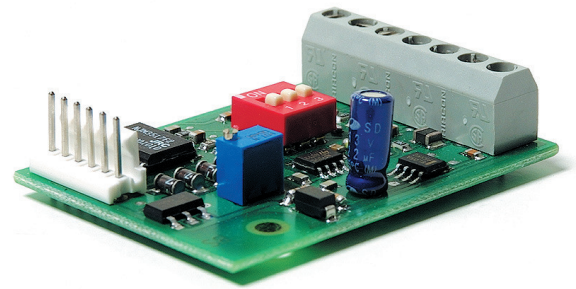


Samotronic101

SAMOTRONIC101

Driver	for unipolar motors
Dimensions (mm)	55 x 40
Supply voltage (VDC)	10-24
Motor current	constant voltage drive
Step mode	full/half step
Clock source	internal or external
Control inputs to	<ul style="list-style-type: none">inhibit internal clockinhibit motor currentchange direction of rotations
Configuration	via DIP-switch, potentiometer



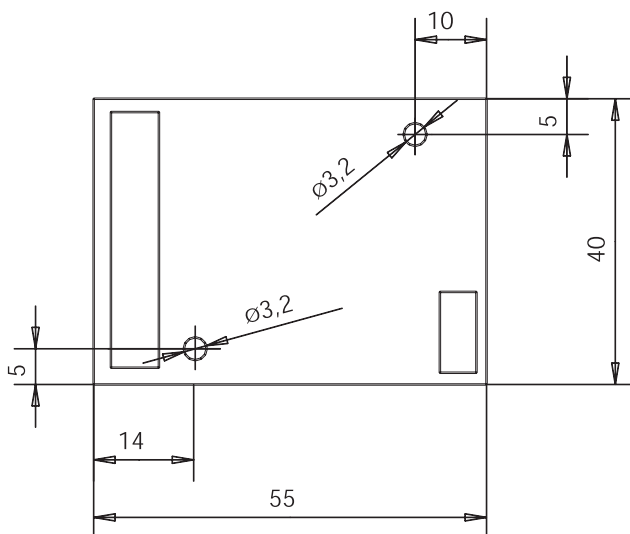
Preferred Range

Ordering Reference	
4 636 6608 0	If motors are also to be ordered please state: "with MTA-100 receptacles for use with SAMOTRONIC101".
4 636 6608 3	with screw terminal for motor connection, max 0.5 mm ²

Technical Data

Supply voltage	10-24 VDC
Phase current	≤ 350 mA
Control signal level	LS-TTL (0-5V) for all control inputs
Internal clock	50-360 Hz
External clock	up to 2 kHz
Dimensions	55 x 40 mm
Operating temperature	-5 to +50 °C
Storage temperature	-20 to +70 °C

Dimensions



For latest technical and safety compliance information regarding these products, please download the relevant data sheet from our web site: www.saia-burgess.com/drivers