

# Ledex® Box Frame Size B17M — DC Operation

Part Number: B17M - XXX - A- 1

All catalogue products manufactured after April 1, 2006 are RoHS Compliant

Select from performance chart below

## Specifications

Operation	Pull
Dielectric Strength	500 VRMS for one second
Continuous Duty Cycle	100% at 20°C ambient temperature
Intermittent Duty Cycle	See below
Holding Force	3.9 N at 20°C
Coil Insulation	Class "B": 130°C max.
Coil Termination	250 mm PVC lead wires
Plunger Weight	2.84 g
Total Weight	18.4 g
Dimensions	See page H38

● Well-suited for battery operation.



See the "Battery Operated Solenoids" section for complete information.

## Performance

Maximum Duty Cycle	100%	50%	25%	10%
Maximum ON Time (sec) when pulsed continuously	∞	15	6	2
Maximum ON Time (sec) for single pulse	∞	112	36	10.5
Watts (@ 20°C)	1.6	3.2	6.4	16
Ampere Turns (@ 20°C)	292	414	584	923

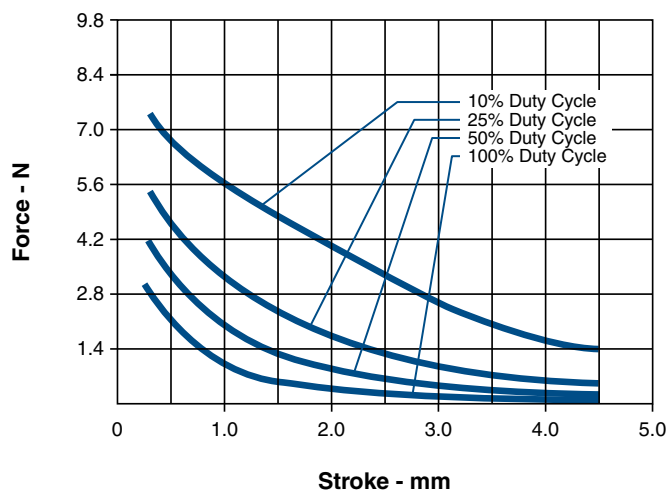
### Coil Data

Part Number	Resistance (@20°C)	Ref # Turns	VDC (Nom)	VDC (Nom)	VDC (Nom)	VDC (Nom)
B17M-258-A-1	5.40	556	3	4	6	9
B17M-255-A-1	21.93	1112	6	8.5	12	19
B17M-256-A-1	50.2	1540	9	12	18	28.3
B17M-254-A-1	88.95	2208	12	17	24	38
B17M-253-A-1	337	3687	24	34	48	76
B17M-252-A-1	1465	9177	48	68	96	153

### NOTES:

- All data is typical.
- Force testing is done with the solenoid in the horizontal position.
- All data reflects operation with no heatsink.
- Pull versions standard; push versions available.

## Typical Force @ 20°C



## How to Order

Select the part number from the table provided. (For example, to order a 25% duty cycle unit rated at 48 VDC, specify B17M-253-A-1.

Please see [www.ledex.com](http://www.ledex.com) (click on Stock Products tab) for our list of stock products available through our distributors.

Force values for reference only.

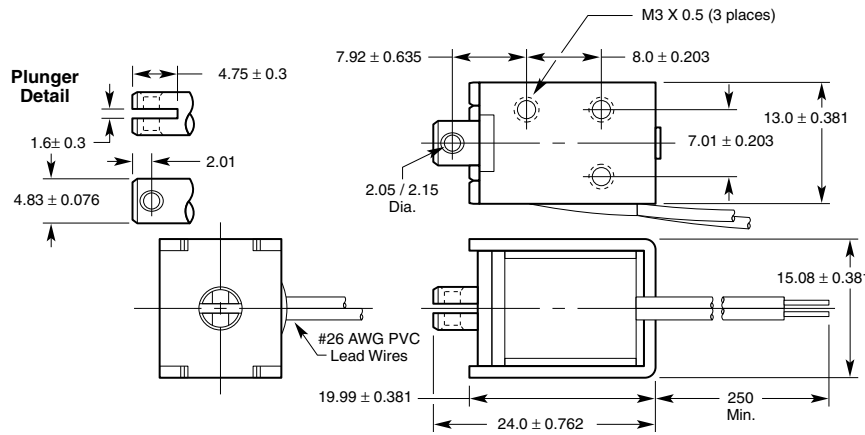
All specifications subject to change without notice.

# Ledex® Box Frame Dimensions

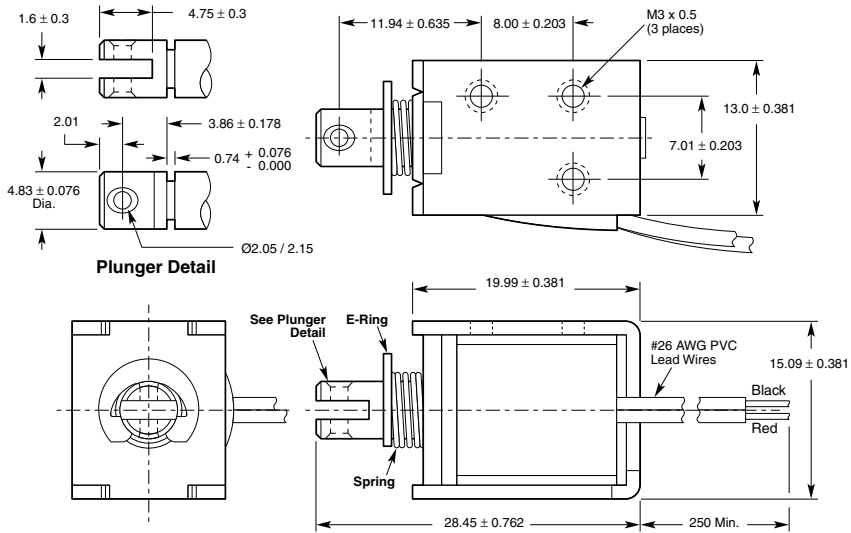
mm

All solenoids are illustrated in energised state

## B17M



## B17M-L



LINEAR Open Frame

All specifications subject to change without notice.