

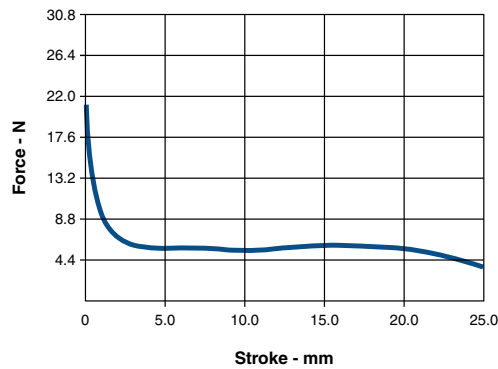
Dormeyer® Box Frame Size B4HDM — AC Operation

Specifications

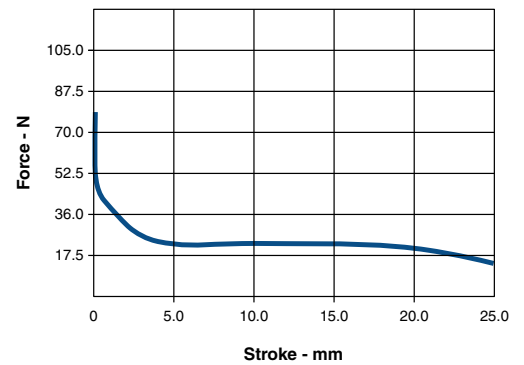
Continuous Duty Cycle	100% at 20°C ambient temperature
Intermittent Duty Cycle	20% on time, 80% off time. On time not to exceed 3 min. at 20°C ambient temperature
Direction of Load Movement	Pull
Coil Insulation	Class "A": 105°C max. temperature standard. Other temperature classes are available
Coil Termination	3/16" QC
Plunger Weight	62 g
Total Weight	354 g
Dimensions	See page 19

All catalogue products are RoHS Compliant

AC Continuous Duty



AC Intermittent Duty



Duty Cycle	Continuous – 31 VA	Intermittent – 145 VA
Model	B4HDM-50-M-36	B4HDM-550-M-36
Volts — 50 Hz (60 Hz available)	230	230

NOTES:

- All data is typical.
- Force testing is done with the solenoid in the horizontal position.
- All data reflects operation with no heatsink.
- Other coil terminations available.
- 120 or 240V/60 Hz models are also available. Please contact us for ordering information.
- All specifications subject to change without notice.

How to Order

Select the part number from the table provided. (For example, to order a continuous duty cycle unit rated at 230 VAC, specify B4HDM-50-M-36.

Please see www.dormeyer-solenoids.com (click on Stock Products tab) for our list of stock products available through our distributors.

All specifications subject to change without notice.

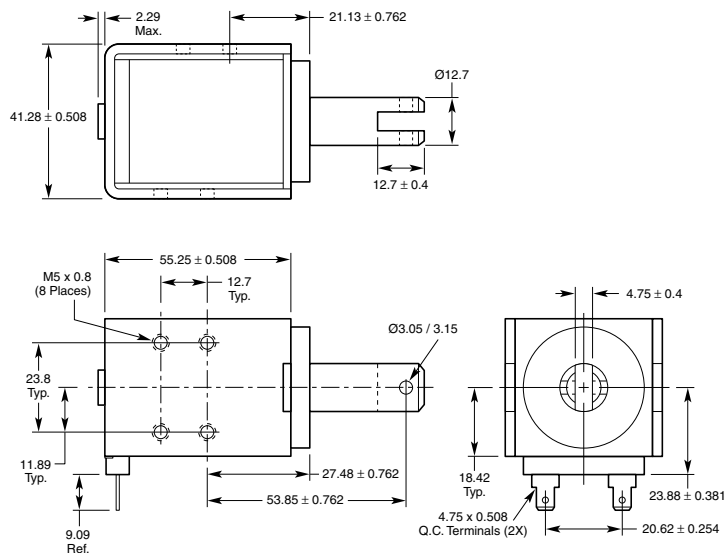
Dormeyer® Box Frame Dimensions

Inches (mm)

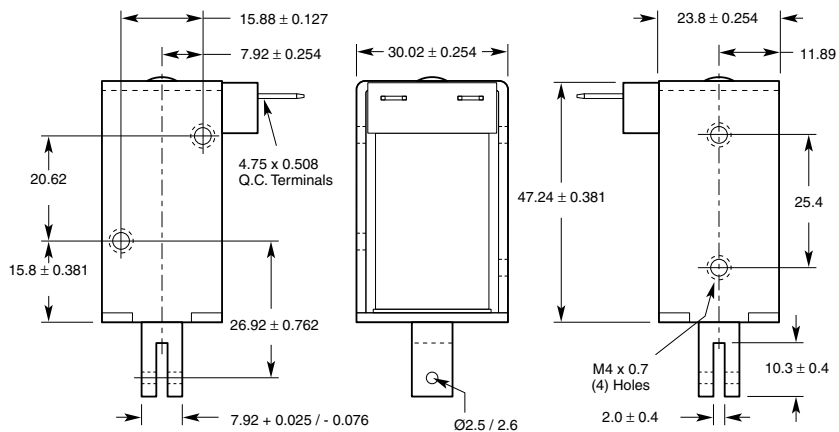
All solenoids are illustrated in energised state

All catalogue products are RoHS Compliant

B4HDM



B11M



All specifications subject to change without notice.