

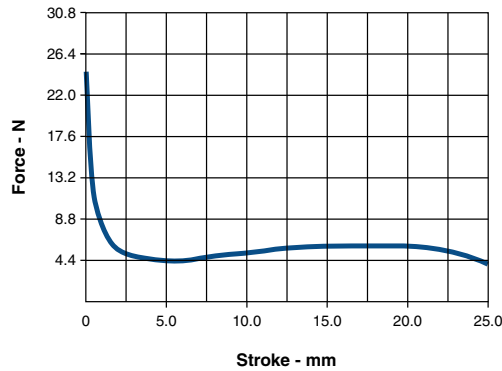
Dormeyer® Box Frame Size B22M — AC Operation

Specifications

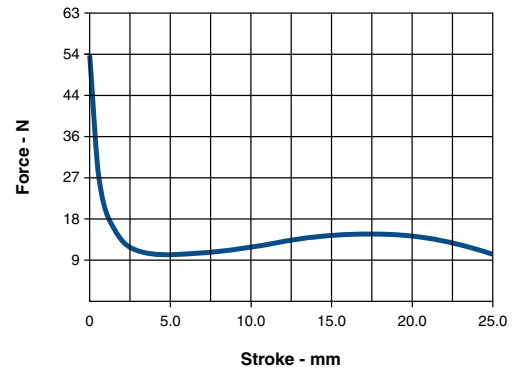
Continuous Duty Cycle	100% at 20°C ambient temperature
Intermittent Duty Cycle	20% on time, 80% off time. On time not to exceed 3 min. at 20°C ambient temperature
Direction of Load Movement	Pull
Coil Insulation	Class "A": 105°C max. temperature standard. Other temperature classes are available
Coil Termination	3/16" QC
Plunger Weight	42 g
Total Weight	227 g
Dimensions	See page 21

All catalogue products are RoHS Compliant

AC Continuous Duty



AC Intermittent Duty



Duty Cycle	Continuous – 12 VA	Intermittent – 40 VA
Model	B22M-50-M-36	B22M-550-M-36
Volts — 50 Hz (60 Hz available)	230	230

NOTES:

1. All data is typical.
2. Force testing is done with the solenoid in the horizontal position.
3. All data reflects operation with no heatsink.
4. Other coil terminations available.
5. 120 or 240V/60 Hz models are also available. Please contact us for ordering information.
6. All specifications subject to change without notice.

How to Order

Select the part number from the table provided. (For example, to order a continuous duty cycle unit rated at 230 VAC, specify B22M-50-M-36.

Please see www.dormeyer-solenoids.com (click on Stock Products tab) for our list of stock products available through our distributors.

All specifications subject to change without notice.

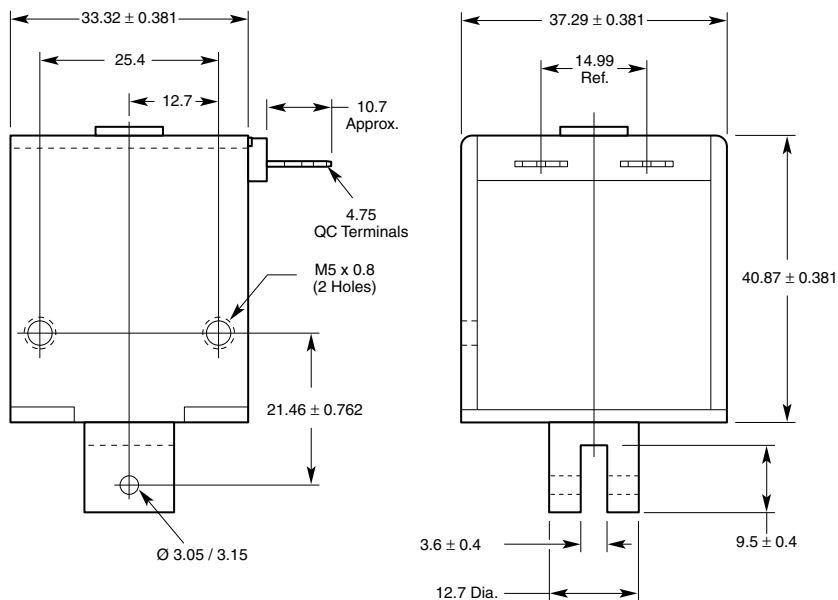
Dormeyer® Box Frame Dimensions

Inches (mm)

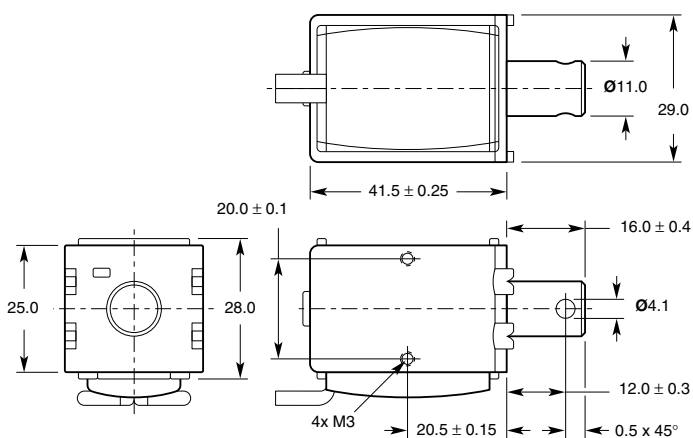
All solenoids are illustrated in energised state

All catalogue products are RoHS Compliant

B22M



B75M



All specifications subject to change without notice.