

# BTA<sup>®</sup> Size 6EVM

Part Numbers: Clockwise Rotation 195931-0XX  
Counter-Clockwise Rotation 195940-0XX

All catalogue products manufactured after April 1, 2006 are RoHS Compliant

## Performance

	100%	50%	25%	10%		
Maximum Duty Cycle	100%	50%	25%	10%		
Maximum ON Time (sec)	∞	40	15	5		
when pulsed continuously <sup>1</sup>						
Maximum ON Time (sec)	∞	143	47	11		
for single pulse <sup>2</sup>						
Typical Energise Time (msec) <sup>3</sup>	48	21	15	11		
Watts (@ 20°C)	32	64	128	320		
Ampere Turns (@ 20°C)	980	1386	1960	3100		
Coil Data						
avg (0XX) <sup>4</sup>	Resistance (@20°C)	# Turns <sup>5</sup>	VDC (Nom)	VDC (Nom)	VDC (Nom)	VDC (Nom)
23	2.65	267	9.2	13.0	18.4	29.1
24	5.02	396	12.7	17.9	25.4	40.1
25	7.03	444	15.0	21.2	30.0	47.4
26	12.60	625	20.1	28.4	40.2	63.5
27	17.60	700	23.8	33.6	47.5	75.1
28	29.90	936	30.9	43.7	61.9	97.8
29	49.50	1225	39.8	56.0	80.0	126.0
30	79.70	1560	51.0	71.0	101.0	160.0
31	126.50	1962	64.0	90.0	127.0	201.0
32	198.30	2440	80.0	113.0	159.0	252.0
33	306.20	2992	99.0	140.0	198.0	313.0

## Specifications

Dielectric Strength	1,000 VRMS (23 awg); 1200 VRMS (24-33 awg)
Recommended Minimum Heat Sink	Maximum watts dissipated by solenoid are based on an unrestricted flow of air at 20°C, with solenoid mounted on the equivalent of an aluminium plate measuring 314 mm square by 3.2 mm thick
Thermal Resistance	3.58 (°C/watt)
Rotor Inertia	67.15 (gm-cm <sup>2</sup> )
Weight	709 gms
Dimensions	See page C10

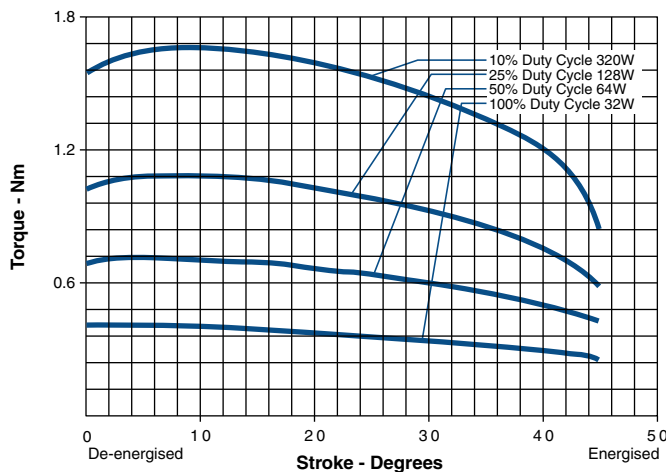
## How to Order

Add the coil awg number (0XX) to the part number (for example: to order a 25% duty cycle clockwise rotation unit rated at 25.4 VDC, specify 195931-024).

Please see [www.ledex.com](http://www.ledex.com) (click on Stock Products tab) for our list of stock products available through our distributors.

- Continuously pulsed at stated watts and duty cycle
- Single pulse at stated watts (with coil at ambient room temperature 20°C)
- Typical energise time based on a 99 mNm torque load including  $1.4 \times 10^{-6}$  kgm<sup>2</sup> of inertia
- Other coil awg sizes available — please consult factory
- Reference number of turns

## Size 6EVM — Typical Torque @ 20°C



### Notes:

Torque curves shown are without spring.

Typical standard spring has a torque of 56.5 mNm.

Torque values are for reference only.

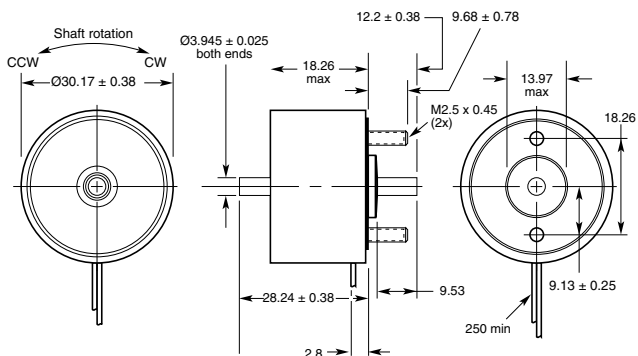
All specifications subject to change without notice.

# BTA® Dimensions

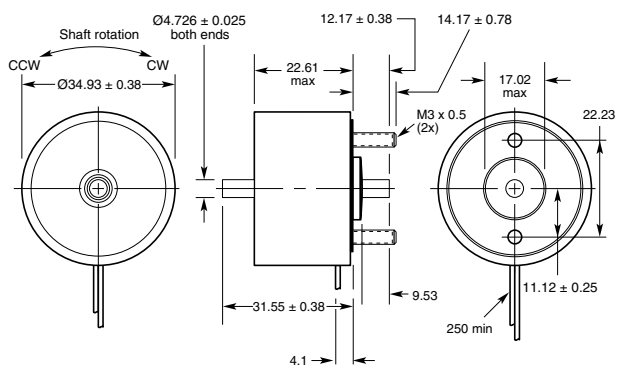
inches (mm)

ROTARY BTA®

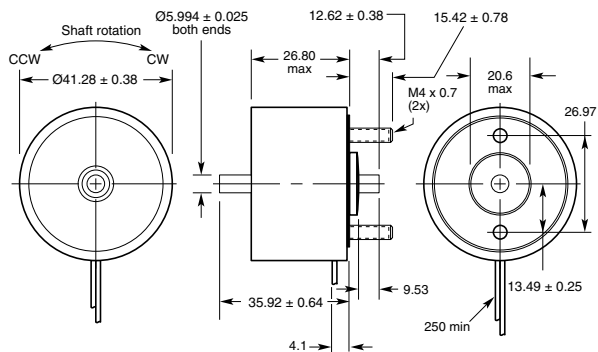
## Size 2EVM



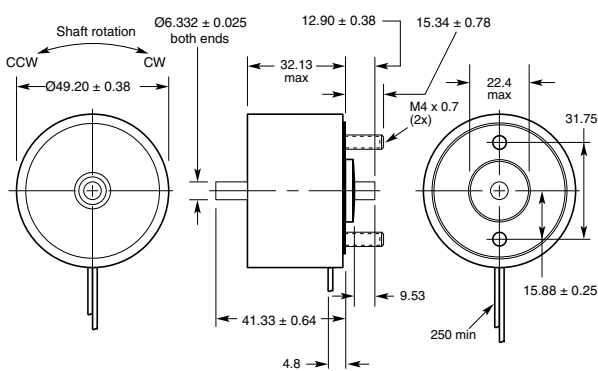
## Size 3EVM



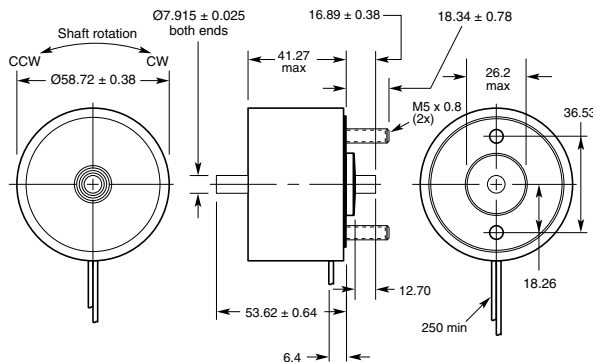
## Size 4EVM



## Size 5EVM



## Size 6EVM



All specifications subject to change without notice.