

Ledex® Box Frame Size B17M-L — DC Operation

Magnetic Latching

Part Number: B17M - L - X XX - B- 3

Coil Selection
(from performance chart below)

Pole Configuration
1 Flat Face

All catalogue products manufactured after April 1, 2006 are RoHS Compliant

Specifications

Operation	Pull
Dielectric Strength	500 VRMS for one second
Unlatch Voltage	See schematic and coil data below
Magnet Hold Force*	2.5 N (with return spring)
Coil Insulation	Class " B": 130°C max. (standard); other temperature classes available
Coil Termination	250 mm PVC lead wires
Spring Force	0.175 N/mm; 0.67 N latched position
Plunger Pole Face	Flat face (other options available)
Plunger Weight	2.46 g
Total Weight	19.85 g
Dimensions	See page H38

*In no power, latched position.

Well-suited for battery operation.



See the "Battery Operated Solenoids" section for complete information.

Performance

Maximum Duty Cycle	Unlatched			
	Voltage	50%	25%	10%
Maximum ON Time (sec)	n/a	112	36	10.5
Watts (@ 20°C)	1.6	3.2	6.4	16
Ampere Turns (@ 20°C)	292	414	584	923

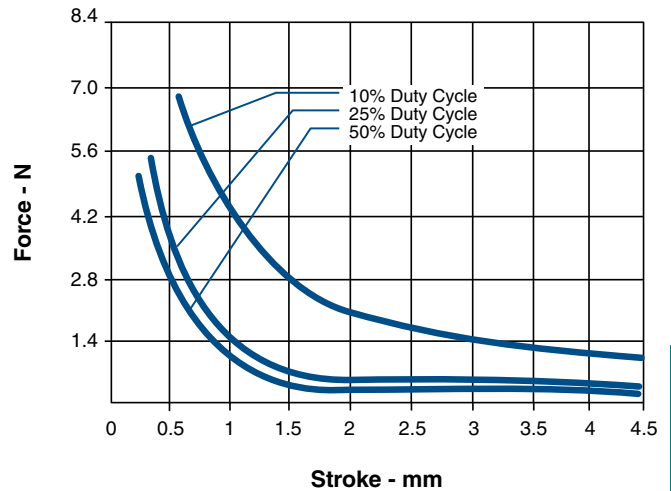
Coil Data

Part Number	Resistance (@20°C)	Ref # Turns	Unlatch VDC	VDC (Nom)	VDC (Nom)	VDC (Nom)
B17M-L-158-B-3	5.40	556	3	4	6	9
B17M-L-155-B-3	21.93	1112	6	8.5	12	19
B17M-L-156-B-3	50.20	1540	9	12	18	28.3
B17M-L-154-B-3	88.95	2208	12	17	24	38
B17M-L-153-B-3	337.00	3687	24	34	48	76
B17M-L-152-B-3	1465.00	9177	48	68	96	153

NOTES:

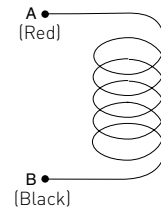
- All data is typical.
- Force testing is done with the solenoid in the horizontal position.
- All data reflects operation with no heatsink.

Typical Force @ 20°C (Net, with Spring)



Coil Polarity

Latch: A+ B-
Unlatch: A- B+



How to Order

Select the part number from the table provided. (For example, to order a 25% duty cycle unit rated at 48 VDC, specify B17M-L-153-B-3.

Please see www.ledex.com (click on Stock Products tab) for our list of stock products available through our distributors.

Force values for reference only.

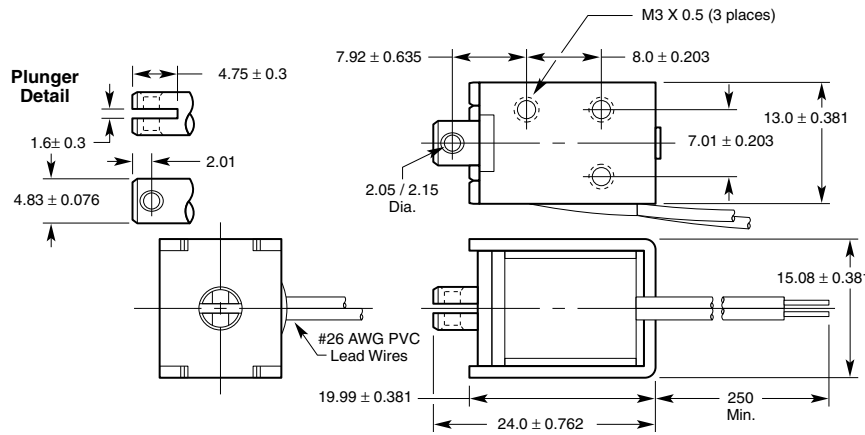
All specifications subject to change without notice.

Ledex® Box Frame Dimensions

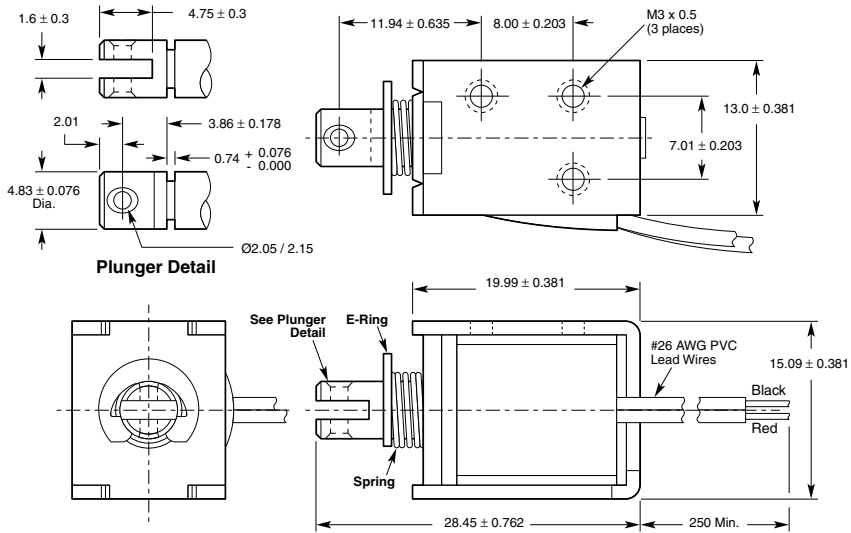
mm

All solenoids are illustrated in energised state

B17M



B17M-L



LINEAR Open Frame

All specifications subject to change without notice.