

Characteristics:

High Power DC motor

Specifications:

Dimensions	: Ø 24.0 X 30.5 mm
Shaft Diameter	: Ø 2.000 mm
Input Voltage	: 21.0 V DC
No Load Speed	: 30000 rpm
No Load Current	: 0.30 A
Nominal Speed	: 26500 rpm
Nominal Torque	: 4.00 mNm
Nominal Current	: 1.50 A
Stall Torque	: 40.00 mNm
Stall Current	: 7.00 A
Maximum Output Power	: 32.00 W
Maximum Efficiency	: 60 %
Torque at Maximum Efficiency	: 7.00 mNm
Speed at Maximum Efficiency	: 25000 rpm
Life (typical)	: 80 hr
Weight	: 45 g
Operation Temperature	: -10 to 55 °C
Storage Temperature	: -20 to 80 °C
Electrical Connection	: Terminals



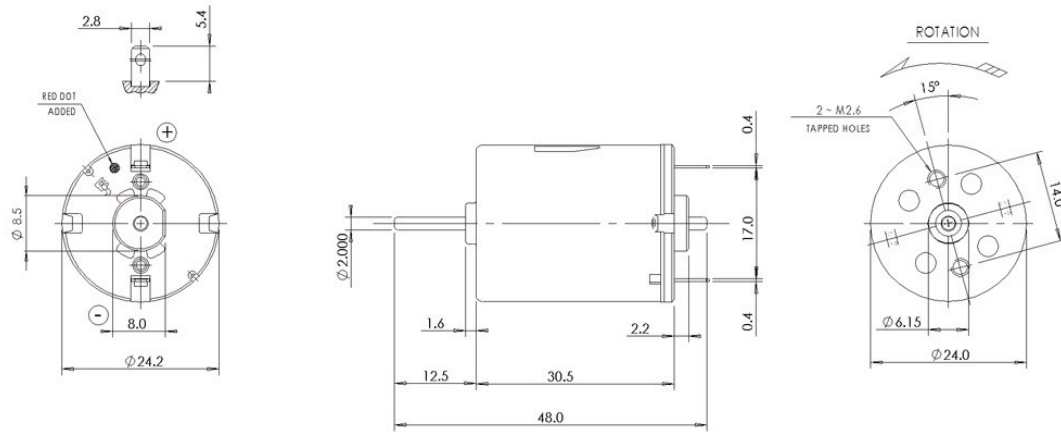
Performance Data:

	No Load	Stall	Max Efficiency	Max Power
Current (A)	0.30	7.00	1.50	4.00
Efficiency (%)	-	-	60	45
Output Power (W)	-	-	20.00	32.00
Speed (rpm)	30000	-	25000	14800
Torque (mNm)	-	40.00	7.00	20.00

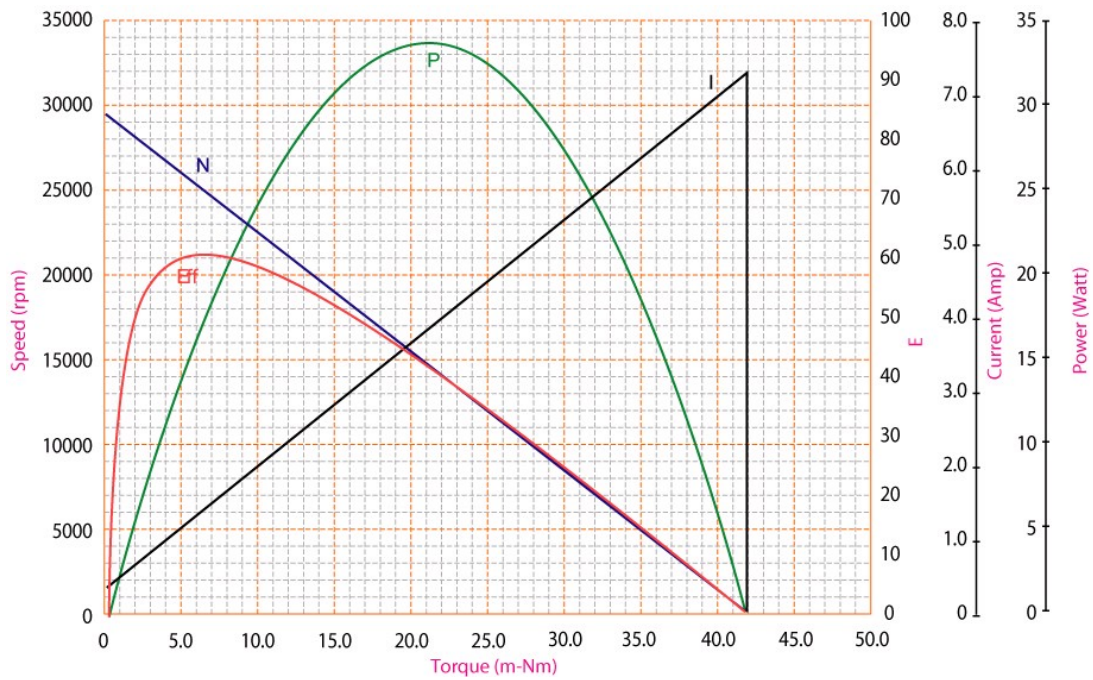
Application Examples:

Hair Care, Hair Dryers, Hair Curlers

Drawing:



Performance Curves:



Units in Metric