

UGV

Gearboxes

UGV

Dimensions (mm)	70 x 70
Max. torque (cNm)	500
Ratios	8 ¹ / ₃ ... 2.000
Internal slipping clutch	none
Standard shaft (mm)	∅ 8 x 12
Weight (g)	130
Motor combination	Series UB, UD, UF



Standard Data

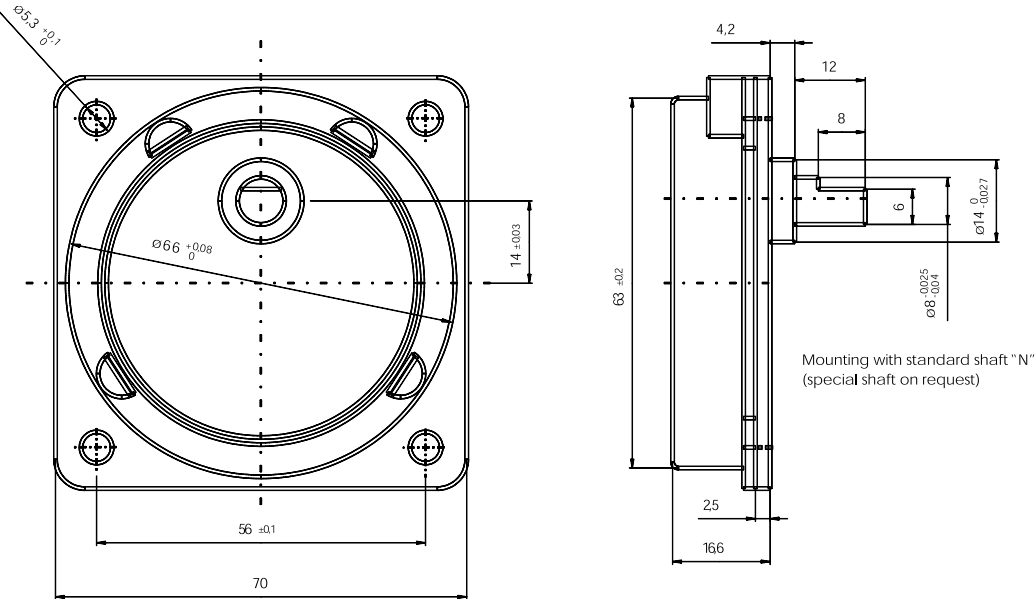
Mounting	any position
Axial thrust F _A	100 N
Lateral force F _R	400 N
Output shafts	∅ 8 x 12, other on request
Climatic class	wide-spread according to DIN IEC 60721-2-1
Ambient temperature operation	°C -15 ... +55
Ambient temperature storage	°C -40 ... +80

Ratios 8¹/₃ 16²/₃ 25 41²/₃ 83¹/₃ 100 125 250 500 2000

Order Reference

Type	Gearbox	UGV	100	N	N
Ratio	100				
Slipping clutch	N	Without slipping clutch			
Shaft end	N	∅ 8 x 12, other on request			

Dimensions



Torque / ratio / life graph

