

STG 60/61

Gearboxes

STG 60/61

Dimensions (mm)	65 x 65 / 68 x 68
Height (mm)	29,8–38
Max. torque (cNm)	600
Ratios	6 ¹ / ₄ ... 5400
Internal slipping clutch	–
Standard shaft (mm)	Ø 8 x 22
Weight (g)	190–310
Motor combination	5021–, 5022–, 5032 RG–, 6443–, 6444– series



STG 60



STG 61

Standard Data

Mounting	any position
Max. input speed *	3000 min ⁻¹
Max. output torque *	600 cNm
Max. input and output power *	please refer to table in Technical Data
Average back lash	unloaded 1,5 degree 2 - 4 stages with 6 Nm 3 degree 5 - 6 stages with 6 Nm 4 degree
Max. axial force F _A	30 N
Max. lateral force at 12 mm from flange F _e	80 N
Max. axial play	0,3 mm
Max. radial play	20 µm
Ambient temperature operation	-20 ... +80 °C
Ambient temperature storage	-40 ... +100 °C

Ratio	6 ¹ / ₄	12 ¹ / ₂	18 ³ / ₄	37 ¹ / ₂	46 ⁷ / ₈	62 ¹ / ₂	93 ³ / ₄	125	150	187 ¹ / ₂	375	750
	1500	2000	3750	5400								

* Depends on ratio

Order Reference

Type	Gearbox STG 60 / STG 61	STG 60	6 ¹ / ₄	1	1
Ratio	6 ¹ / ₄				
shaft end	1 see drawings Dimension shaft end types				
	2				
	3				
	4				
fixing	1 through holes				
	2 threaded holes (only STG 61)				
optional	motor pinion: see page Motor Pinion Data (111)				
	adapter plate: see page for adapter plate (112)				

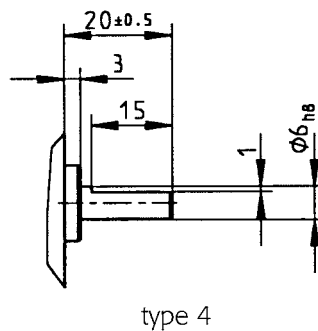
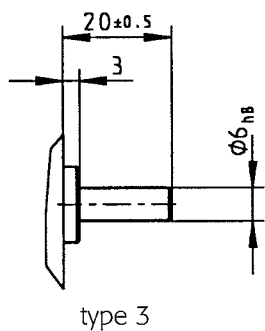
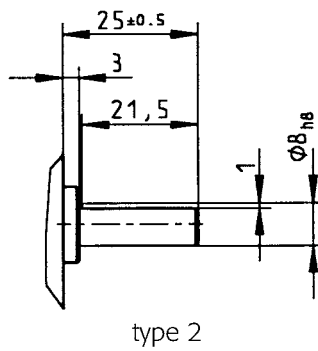
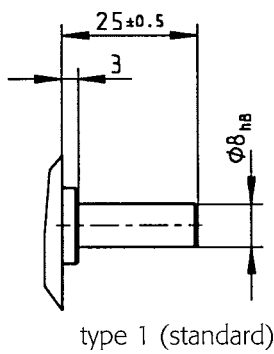
Technical Data

Ratio	Stages *	η	pinion type	Weight	Input Power ** max. (W)	Output Power max. (W)
6 1/4	2	0.81	1	190	15.5	12.5
12 1/2	3	0.73	2	220	15.5	11.3
18 3/4	3	0.73	3	220	15.5	11.3
37 1/2	3	0.73	4	220	15.5	11.3
46 7/8	4	0.65	3	250	15.5	10
62 1/2	4	0.65	2	250	15.5	10
93 3/4	4	0.65	3	250	15.5	10
125	4	0.65	2	250	15.5	10
150	4	0.65	4	250	15.5	10
187 1/2	4	0.65	3	250	15.5	10
375	5	0.59	4	280	8.5	5
750	5	0.59	4	280	4.3	2.5
1500	6	0.53	4	310	2.4	1.25
2000	6	0.53	4	310	1.8	1
3750	6	0.53	4	310	1	0.5
5400	6	0.53	5	310	0.7	0.4

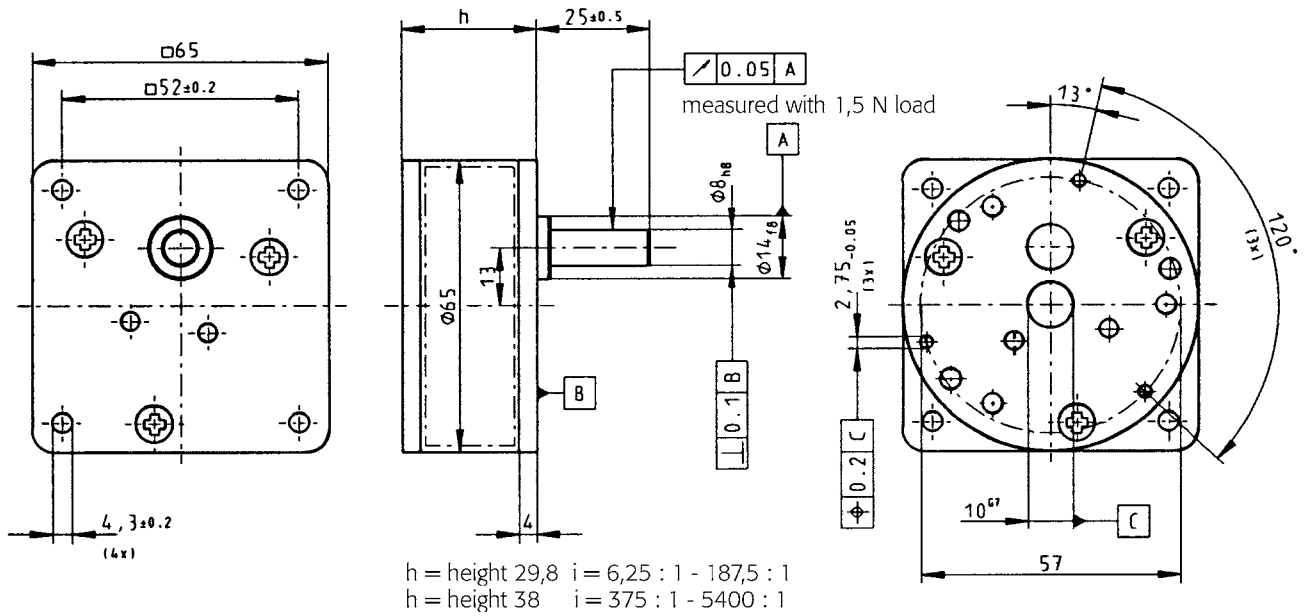
* Direction of rotation of output- and motor-shaft at
 2,4 and 6 stages - same
 3 and 5 stages - opposite

** In combination with max. input speed / max. input torque
 Technical Data valid for a working temperature 0 °C ... +50 °C

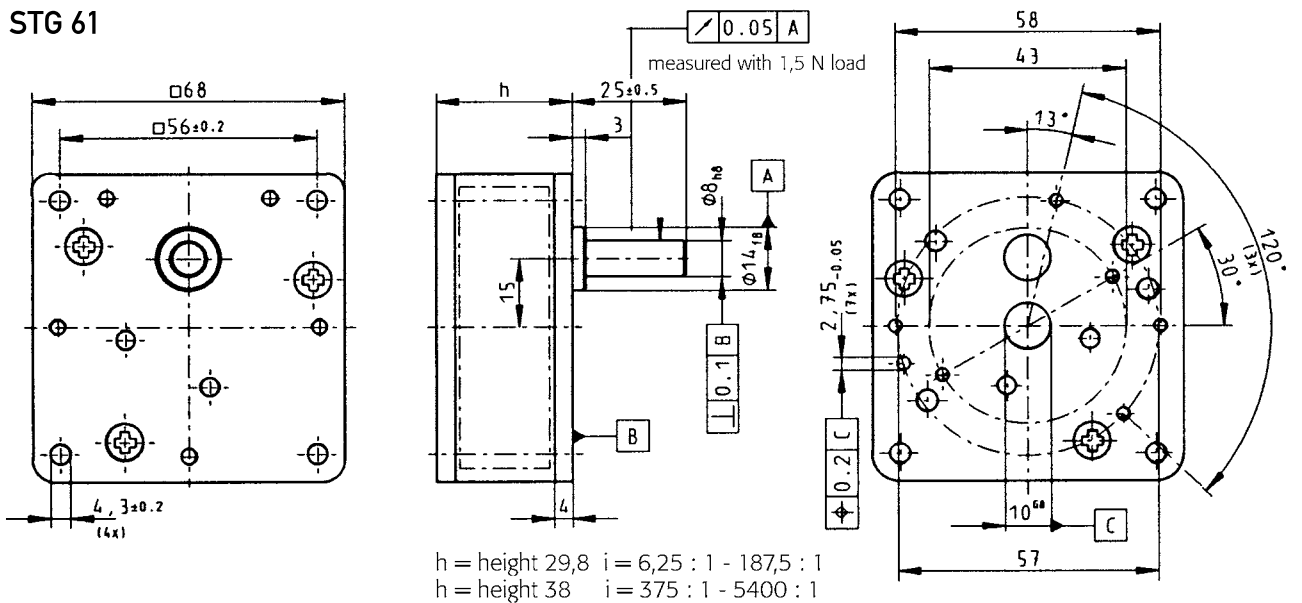
Dimensions shaft end types STG 60/61



Dimensions **STG 60**



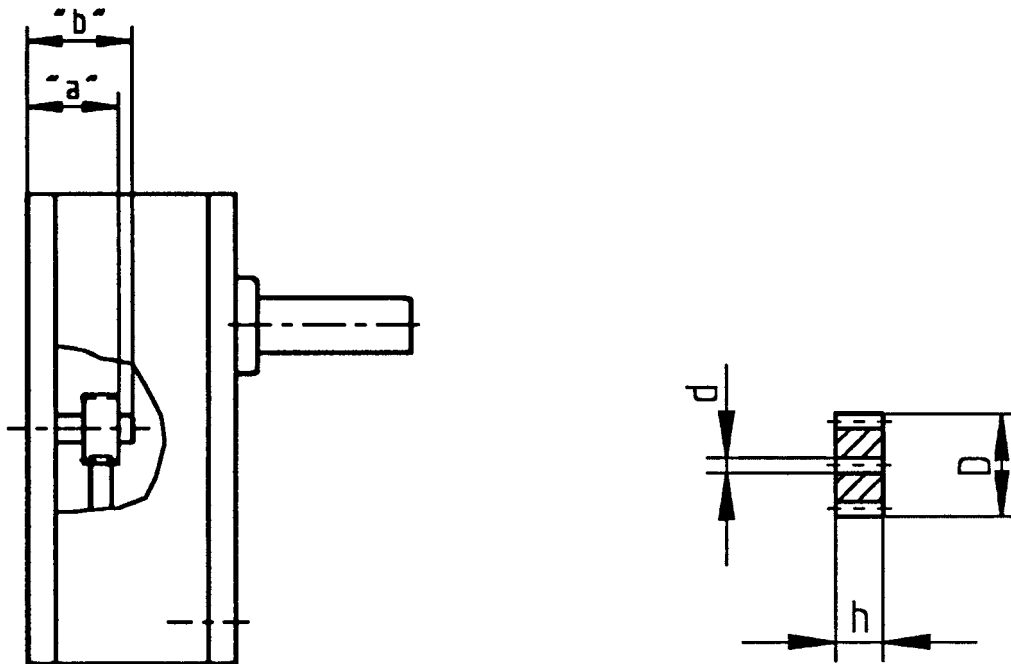
STG 61



STG 60/61 Motor Pinion

Motor Pinion Data STG 60/61

pinion type	d	h	D	module	no. of teeth	Order Reference
1	2.5 ^{S7}	6	9.81	0.38	24	022-100-004-010
	13.0 ^{S7}	6	9.81	0.38	24	022-100-004-020
	4.0 ^{X7}	6	9.81	0.38	24	022-100-004-030
	5.0 ^{S7}	6	9.81	0.38	24	022-100-004-040
2	2.5 ^{S7}	4.5	9.81	0.38	24	022-100-004-070
	3.0 ^{S7}	4.5	9.81	0.38	24	022-100-004-080
	4.0 ^{X7}	4.5	9.81	0.38	24	022-100-004-090
	5.0 ^{S7}	4.5	9.81	0.38	24	022-100-004-110
3	2.5 ^{S7}	4.5	9.32	0.5	16	022-100-004-270
	3.0 ^{S7}	4.5	9.32	0.5	16	022-100-004-280
	4.0 ^{X7}	4.5	9.32	0.5	16	022-100-004-290
	5.0 ^{S7}	4.5	9.32	0.5	16	022-100-004-310
4	2.5 ^{S7}	4.5	8.23	0.42	16	022-100-004-580
	3.0 ^{S7}	4.5	8.23	0.42	16	022-100-004-590
	4.0 ^{X7}	4.5	8.23	0.42	16	022-100-004-600
	5.0 ^{S7}	4.5	8.23	0.42	16	022-100-004-610
5	2.0 ^{S7}	4.5	6.34	0.42	12	022-100-004-730
	2.5 ^{S7}	4.5	6.34	0.42	12	022-100-005-150
	3.0 ^{S7}	4.5	6.34	0.42	12	022-100-004-740



pinion position	Dimension	„a“	„b“
2 gear stages		8.9 _{-0.2}	9.6 _{-0.7}
3-6 gear stages		7.6 _{-0.2}	7.6 _{-0.2}

